



ONCE UPON A TIME...WATER®

KONTOUR™

BF1337-XXX-001

STANDARD: T2 Thermostatic Shower System

SPÉCIFICATIONS

Components included

- BF1389-XXX*: Rainhead with Vertical ceiling arm
- 104336-XXX*: 2-jet handshower (2 direct positions and 1 shared position)
- 103577-110: Wallbar
- 101620-XXX*: 60” flexible and soft PVC hose
- BF1300-110: AQUATONIK™ type T/P 1/2” valve and decorative trim
- BF1303-110: 1/2” Volume control valve and decorative trim
- 102347-110: Wall outlet with volume control

**XXX means that the finish color must be specified.*

Colors (Finishes)

- Chrome: BF1337-110-001
- Chrome and black: BF1337-150-001

Certifications

The specified model meets or exceeds the following standards;

- ASME A112.18.1 / CSA B125.1
- ICC A117.1



See the following sheets for the technical features of each component.

Installation Notes

This product must be installed following the installation instructions provided.

WARRANTY

Kalia Inc. guarantees all aspects of its products to be free of defects in material and workmanship for normal residential use. **Refer to the warranty included with the Kalia products for details.**



ONCE UPON A TIME...WATER®

1355, 2nd Street
Sainte-Marie (Quebec)
Canada G6E 1G9

T 418-387-9090
1-877-GO-KALIA (1-877-465-2542)
F 418-387-9089

KaliaStyle.com





Kalia

ONCE UPON A TIME...WATER®

BF1389 STANDARD: Rainhead with Vertical Ceiling Arm

SPECIFICATIONS

Features

- Male water inlet 1/2NPT on wall arm
- Female water inlet G1/2 on rainhead
- Rainhead diameter of 200 mm (7 7/8")
- Anti-scale system with soft sprays
- Adjustable orientation swivel

Colors (Finishes)

- Chrome : BF1389-110
- Black and Chrome : BF1389-150

Packaging

- **Dimensions:** 435 mm x 320 mm x 144 mm (17 1/8" x 12 1/2" x 5 1/2")
- **Volume:** 0.68 cu ft (0.020 cu m)
- **Total weight:** 2.10 lb (0.95 kg)

Maximum flow rate

- 15 liters/min. (4 gallons/min.) at 80 psi

Certifications

The specified model meets or exceeds the following standards;

- ASME A112.18.1 / CSA B125.1



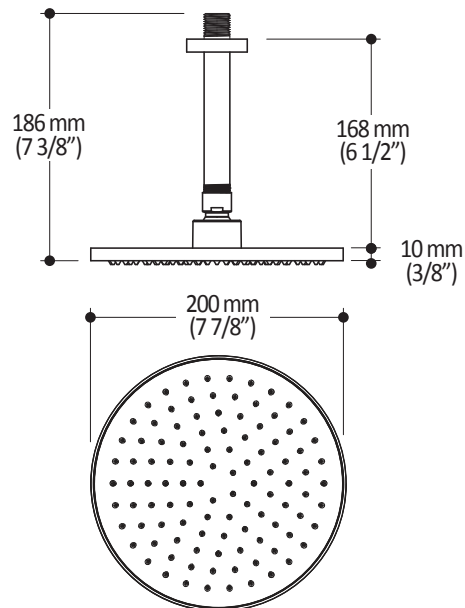
Installation Notes

This product must be installed following the installation instructions provided.

WARRANTY

Kalia Inc. guarantees all aspects of its products to be free of defects in material and workmanship for normal residential use. **Refer to the warranty included with the Kalia products for details.**

Product dimensions:



Important: Dimensions are approximated and are subject to changes. Please refer to the installation instructions.



Kalia

ONCE UPON A TIME...WATER®

1355, 2^e Rue, Parc industriel
Sainte-Marie (Québec)
Canada G6E 1G9

T 418-387-9090
1-877-GO-KALIA (1-877-465-2542)
F 418-87-9089

KaliaStyle.com





ONCE UPON A TIME...WATER®

KONTOUR™

104336

STANDARD: 2-Jet Handshower

SPECIFICATIONS

Features

- Dimension: 120 mm (4 3/4")
- Anti-scale system with soft sprays
- Male water inlet G1/2
- 2 direct positions and 1 shared position

Colors (Finishes)

- Chrome : 104336-110
- Black and Chrome : 104336-150

Packaging

- **Dimensions:** 290 mm x 130 mm x 40 mm (11 3/8" x 5" x 1 1/2")
- **Volume:** 0.05 cu ft (0.002 cu m)
- **Total weight:** 0.50 lb (0.24 kg)

Maximum flow rate

- 11.4 liters/min. (3 gallons/min.) at 80 psi

Certifications

The specified model meets or exceeds the following standards;

- ASME A112.18.1 / CSA B125.1



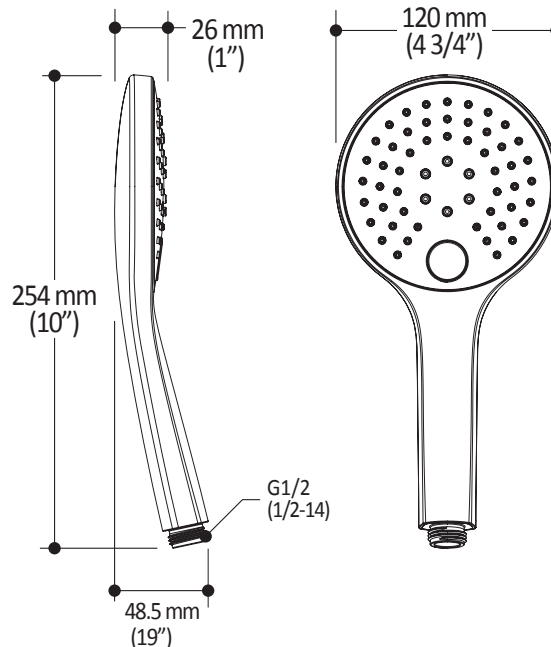
Installation Notes

This product must be installed following the installation instructions provided.

WARRANTY

Kalia Inc. guarantees all aspects of its products to be free of defects in material and workmanship for normal residential use. **Refer to the warranty included with the Kalia products for details.**

Product dimensions:



Important: Dimensions are approximated and are subject to changes. Please refer to the installation instructions.



ONCE UPON A TIME...WATER®

1355, 2^e Rue, Parc industriel
Sainte-Marie (Québec)
Canada G6E 1G9

T 418-387-9090
1-877-GO-KALIA (1-877-465-2542)
F 418-87-9089

KaliaStyle.com





ONCE UPON A TIME...WATER®

103577

Wallbar for handshower

SPECIFICATIONS

Features

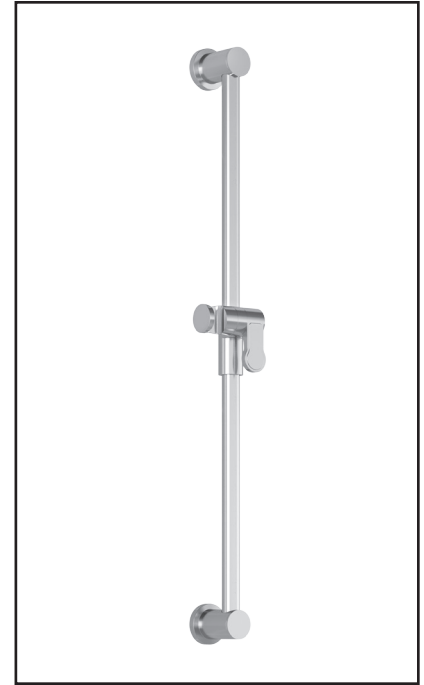
- Total height of 742 mm (30")
- Easy-to-use gliding system
- Locking system

Colors (Finishes)

- Chrome : 103577-110

Packaging

- **Dimensions:** 798 mm x 205 mm x 89 mm (31 1/2" x 8" x 3 1/2")
- **Volume:** 0.27 cu ft (0.010 cu m)
- **Total weight:** 1.9 lb (0.86 kg)



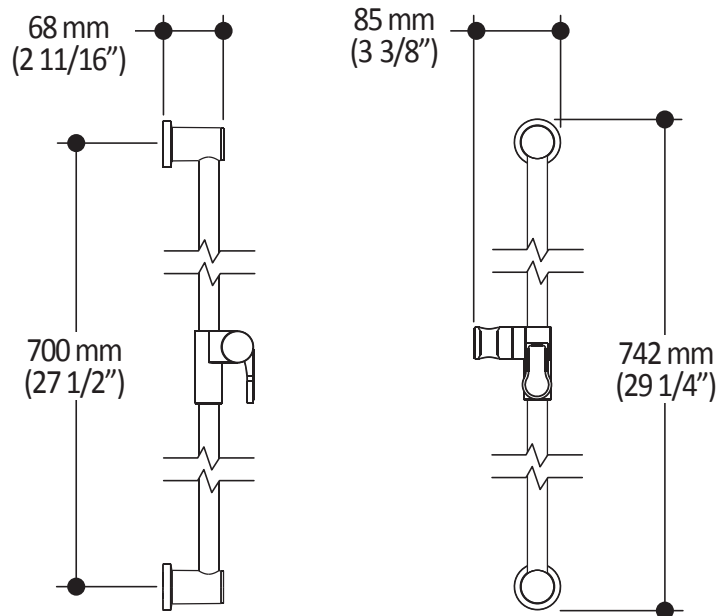
Installation Notes

This product must be installed following the installation instructions provided.

WARRANTY

Kalia Inc. guarantees all aspects of its products to be free of defects in material and workmanship for normal residential use. **Refer to the warranty included with the Kalia products for details.**

Product dimensions:



Important : Dimensions are approximated and are subject to changes. Please refer to the installation instructions.



ONCE UPON A TIME...WATER®

1355, 2nd Street
Sainte-Marie (Quebec)
Canada G6E 1G9

T 418-387-9090
1-877-GO-KALIA (1-877-465-2542)
F 418-387-9089

KaliaStyle.com





ONCE UPON A TIME...WATER®

KONTOUR™

BF1300

AQUATONIK™ type T/P 1/2" valve and decorative trim

SPECIFICATIONS

Features

- Solid brass construction
- No visible screw
- Integrated service stops with check valve
- Male water inlet 1/2NPT threaded or welded
- Can be installed back-to-back
- Total adjustment of 19 mm (3/4")

Certifications

The specified model meets or exceeds the following standards;

- ASME A112.18.1 / CSA B125.1
- ICC A117.1



Colors (Finishes)

- Chrome : BF1300-110

Packaging

- **Dimensions:** 370 mm x 190 mm x 205 mm (14 5/8 x 7 1/2 x 8 1/8)
- **Volume:** 0.014 cu m (0.51 cu ft)
- **Total weight:** 2.35 kg (5.18 lb)

Maximum flow rate

- 30 liters/min. (7.9 gallons/min.) at 60 psi

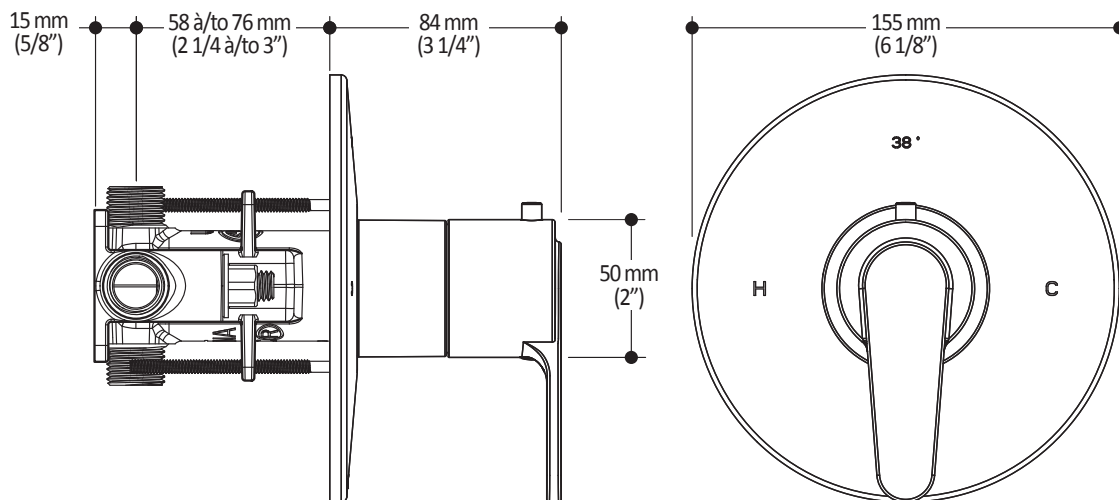
Installation Notes

This product must be installed following the installation instructions provided.

WARRANTY

Kalia Inc. guarantees all aspects of its products to be free of defects in material and workmanship for normal residential use. **Refer to the warranty included with the Kalia products for details.**

Product dimensions:



Important: Dimensions are approximated and are subject to changes. Please refer to the installation instructions.



ONCE UPON A TIME...WATER®

1355, 2^e Rue, Parc industriel
Sainte-Marie (Québec)
Canada G6E 1G9

T 418-387-9090
1-877-GO-KALIA (1-877-465-2542)
F 418-87-9089

KaliaStyle.com





Kalia

ONCE UPON A TIME...WATER®

KONTOUR™

BF1303

1/2" Volume Control Valve and Decorative Trim

SPECIFICATIONS

Features

- No visible screw
- Female water inlet 1/2NPT threaded
- Solid brass construction

Colors (Finishes)

- Chrome : BF1303-110

Packaging

- **Dimensions:** 305 mm x 117 mm x 92 mm (12" x 4 5/8" x 3 5/8")
- **Volume:** 0.12 cu ft (0.003 cu m)
- **Total weight:** 1.71 lb (0.78 kg)

Certifications

The specified model meets or exceeds the following standards:

- ASME A112.18.1 / CSA B125.1



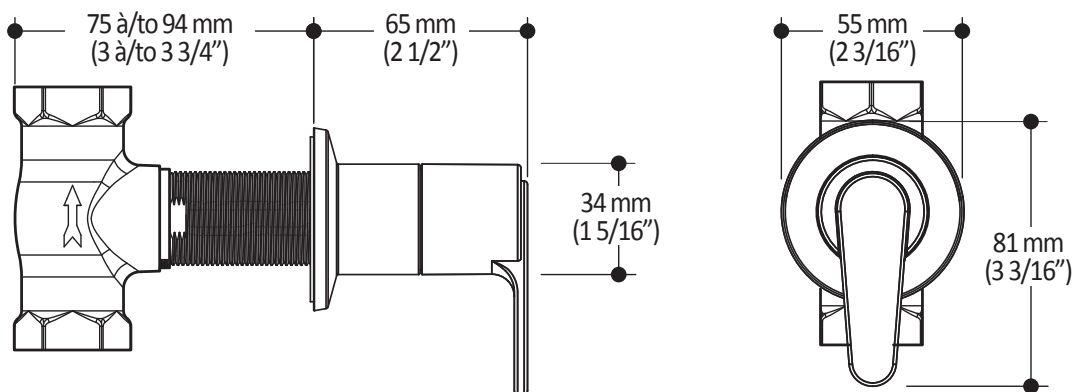
Installation Notes

This product must be installed following the installation instructions provided.

WARRANTY

Kalia Inc. guarantees all aspects of its products to be free of defects in material and workmanship for normal residential use. **Refer to the warranty included with the Kalia products for details.**

Product dimensions:



Important: Dimensions are approximated and are subject to changes. Please refer to the installation instructions.



Kalia

ONCE UPON A TIME...WATER®

1355, 2^e Rue, Parc industriel
Sainte-Marie (Québec)
Canada G6E 1G9

T 418-387-9090
1-877-GO-KALIA (1-877-465-2542)
F 418-87-9089

KaliaStyle.com





102347

Wall Outlet with Volume Control

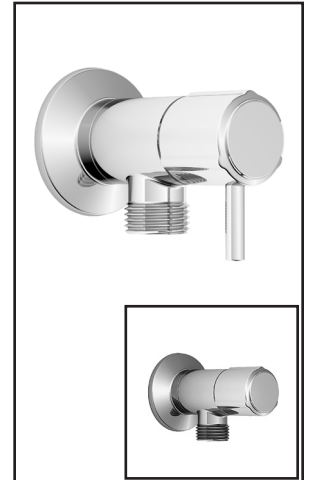
SPECIFICATIONS

Features

- Water 1/2" female inlet NPT
- Water G1/2 male outlet
- Cartridge 3/4 with ceramic disc
- Solid brass construction
- Check valve included
- PVD finish (Physical Vapour Deposit): A high technology process that protects the surface finish for increased durability

Packaging

- **Dimensions:** 305mm x 117mm x 92mm (12" x 4 5/8" x 3 5/8")
- **Volume:** 0.12 cu ft (0.003 cu m)
- **Total weight:** 0.75 lb (0.34 kg)



Colors (Finishes)

- Chrome : 102347-110
- Brushed Nickel PVD : 102347-120

Certifications

The specified model meets or exceeds the following standards;

- ASME A112.18.1 / CSA B125.1



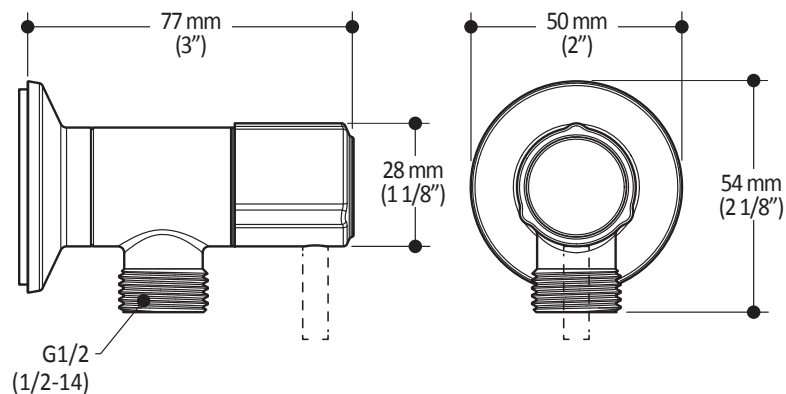
Installation Notes

This product must be installed following the installation instructions provided.

WARRANTY

Kalia Inc. guarantees all aspects of its products to be free of defects in material and workmanship for normal residential use. **Refer to the warranty included with the Kalia products for details.**

Product dimensions:



Important: Dimensions are approximated and are subject to changes. Please refer to the installation instructions.

Kalia inc.
1355, 2nd Street
Sainte-Marie (Quebec)
Canada G6E 1G9

t. 1-418-387-9090
1 877 GO KALIA (1-877-465-2542)
f. 1-418-387-9089
www.KaliaStyle.com