



CITÉ™

BF1369

Single Hole Lavatory Faucet With Push Drain

SPECIFICATIONS

### Features

- Solid brass construction
- Aerated and hidden stream
- Single hole installation
- Push drain included
- Ceramic disc valve cartridge
- Lead Free: Low lead product (less than 0.25%)



### Packaging

- **Dimensions:** 440mm x 290mm x 67mm (17 3/8" x 11 3/8" x 2 5/8")
- **Volume:** 0.30 cu ft (0.009 cu m)
- **Total weight:** 5.05 lb (2.29 kg)

### Maximum flow rate

- 8.3 liters/min. (2.2 gallons/min.)



### Colors (Finishes)

- Chrome : BF1369-110

### Certifications

The specified model meets or exceeds the following standards;

- ASME A112.18.1 / CSA B125.1
- ANSI / NSF 61-9



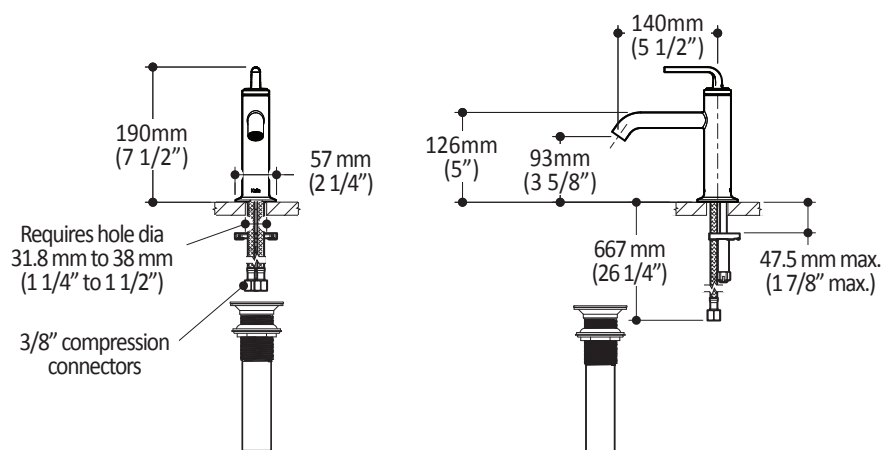
### Installation Notes

This product must be installed following the installation instructions provided.

### WARRANTY

Kalia Inc. guarantees all aspects of its products to be free of defects in material and workmanship for normal residential use. **Refer to the warranty included with the Kalia products for details.**

Product dimensions:



**Important:** Dimensions are approximated and are subject to changes. Please refer to the installation instructions.

**Kalia inc.**  
1355, 2nd Street  
Sainte-Marie (Quebec)  
Canada G6E 1G9

t. 1-418-387-9090  
1 877 GO KALIA (1-877-465-2542)  
f. 1-418-387-9089  
www.KaliaStyle.com