

SHOWERS & TUBSHOWERS (Excludes 1560 series)



Congratulations on purchasing a Longevity Acrylics bathware product. Be assured that your product has been developed and is a highly engineered, quality product that is strong and durable to withstand the rigors of everyday life.

- Strength, durability and toughness to withstand frequent use
- Resistant to everyday wear and tear, stains, and superficial scratches
- Resistant to UV, and many household chemicals
- Qualities that make light work of cleaning and maintenance
- Beautiful warm, smooth surfaces that feel comfortable against the skin

INSPECTION: THIS ACRYLIC UNIT HAS BEEN CAREFULLY INSPECTED AND PACKED FOR SHIPMENT AT LONGEVITY ACRYLICS INC. PLEASE FULLY INSPECT THE UNIT BEFORE INSTALLATION.

Carefully remove the unit from the carton. Do not destroy the cardboard until you have inspected the unit thoroughly. Should your inspection reveal any damage or defect in the finish, do not install the unit—contact your distributor immediately.

The warranty does not cover damages or defects to the finish claimed after the unit has been installed. Longevity’s responsibility for shipping damages ceases upon delivery of the product in good order to the carrier.

Refer any claims for damages to the carrier.

BUILDING CODES

Be sure to follow local building codes when installing the bathware unit.

IT IS ALWAYS RECOMMENDED TO HAVE A PROFESSIONAL AND COMPETENT PLUMBER INSTALL LONGEVITY ACRYLICS BATHWARE.

CAUTION

- To cut plumbing fixture openings on your bathware unit ensure that you use the correct size hole saw based on the selected unit design.
- Always cut a plumbing fixture opening from the finished side of the unit.
- Always ensure that the surface of the unit is protected to prevent scratches in the surface.
- Install plumbing fixtures based on the manufacturers recommended installation instructions.
- The drain location on the unit is shown; however actual installation will depend on the waste and overflow which is purchased separately.

LONGEVITY ACRYLICS INC. IS NOT RESPONSIBLE FOR ANY DAMAGES INCURRED AS A RESULT OF POOR INSTALLATION OF THE PRODUCT.

INSTALLATION

GENERAL INSTALLATION NOTES

IMPORTANT: READ ALL INSTRUCTIONS CAREFULLY BEFORE PROCEEDING. STRUCTURE MEASUREMENTS MUST BE VERIFIED AGAINST THE UNIT. ENSURE THE STRUCTURE MEETS THE REQUIRED DIMENSIONS, IT IS LEVEL AND SQUARE.

ALWAYS ENSURE THAT THE SURFACE OF THE UNIT IS PROTECTED TO PREVENT SCRATCHES IN THE SURFACE.

FRAMING

Table 1 - Technical Data (p. 4) are for framed openings, not those of the unit. The bathware unit is to fit into a framed alcove wall as shown in **Figures 2A & 2B**. Inside dimensions of the studded alcove are to be as specified in **Table 1 - Technical Data**.

INSTALLATION STEPS

The shower/tubshower may be installed flush or recessed. (**Figure 1**)

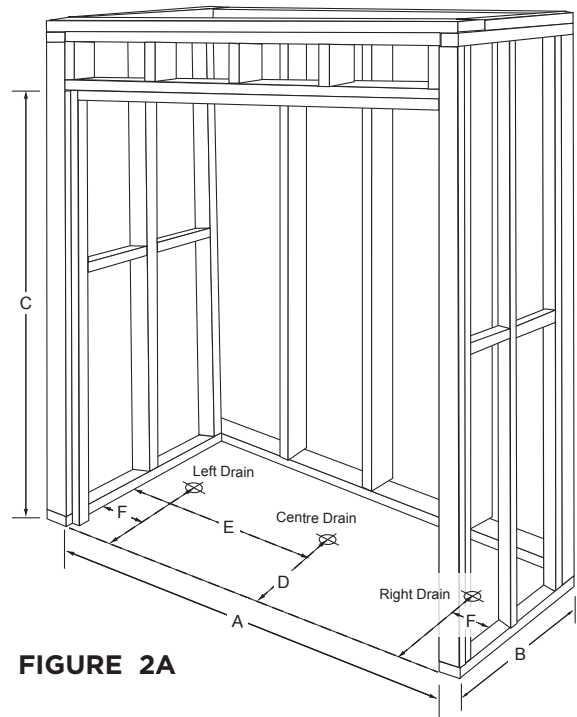


FIGURE 2A

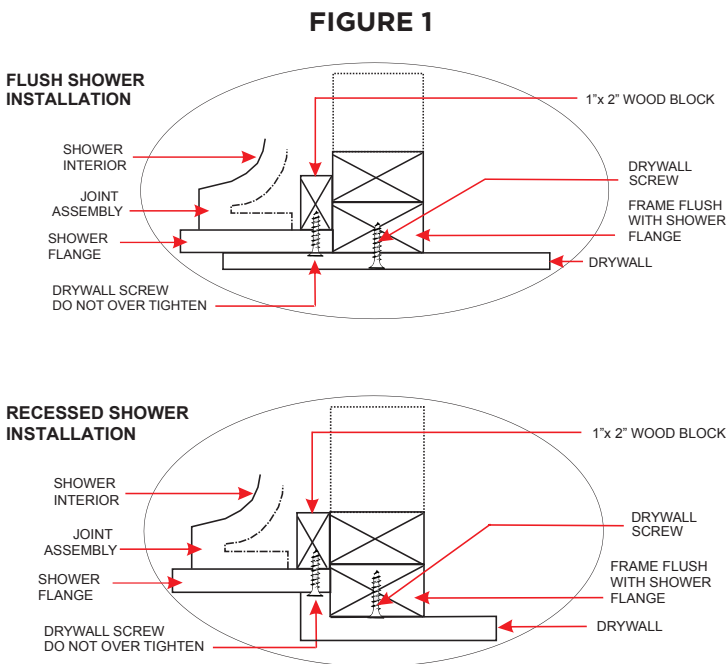


FIGURE 1

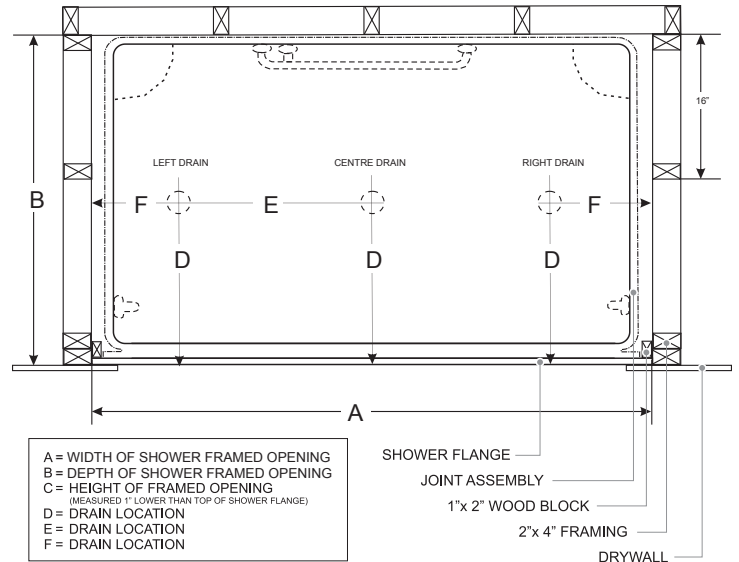


FIGURE 2B

1. Build a solid frame using dimensions listed in **Table 1 - Technical Data** (see pg. 4). (**Figures 2A and 2B**)
2. Sectional units that have been disassembled must be reassembled before the unit is installed in the alcove. Assemble the unit with the same stainless steel screws that the pieces were originally fastened with. Do not overtighten. **Sealant is not required.** (**Figure 3**)

3. Carefully place unit into the alcove framework, shim as necessary and plumb vertical. Shimming may be required to level the bathware unit to ensure adequate drainage. Levelling must be done under the wood base beneath the unit. Do not level directly behind or under the flange and/or at the front of the unit. Ensure stud location does not interfere with plumbing fixture installation.
4. Install plumbing fixtures according to individual manufacturer's instructions (refer to manufacturers installation procedures).
5. Pre-drill & countersink the holes on the flange to accept drywall screws for fastening. (**Figures 1 & 4**)

Every effort has been made to offer the most current, correct, and clearly expressed information possible. Nevertheless, inadvertent errors or inaccuracies in the information may occur. Longevity Acrylics disclaims any responsibility for errors or accuracy of information that may be contained in its documents or web pages. Longevity Acrylics Inc. makes no warranties or representations whatsoever regarding the quality, content, completeness, suitability, adequacy, sequence, accuracy or timeliness of such information and data.

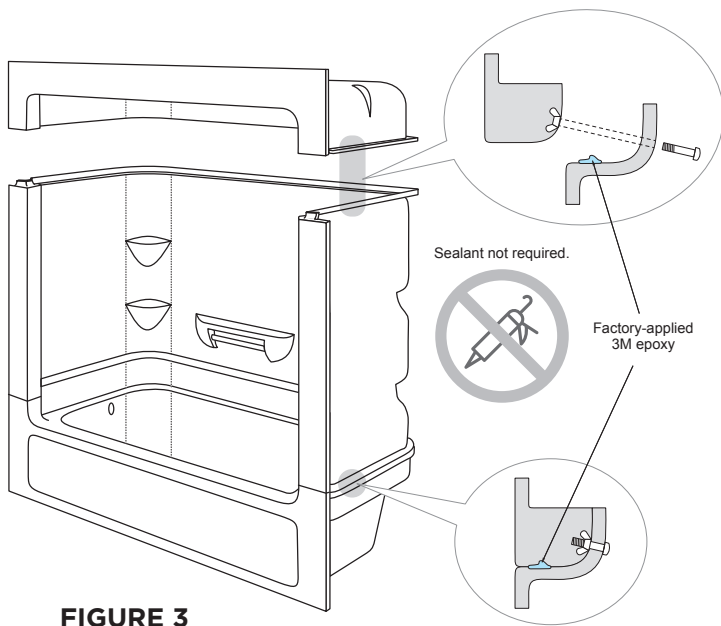


FIGURE 3

6. Fasten the unit to the frame using drywall screws. Be careful not to over tighten or bury the screws as this may cause the acrylic to crack. Ensure that the unit is plumb before fastening.

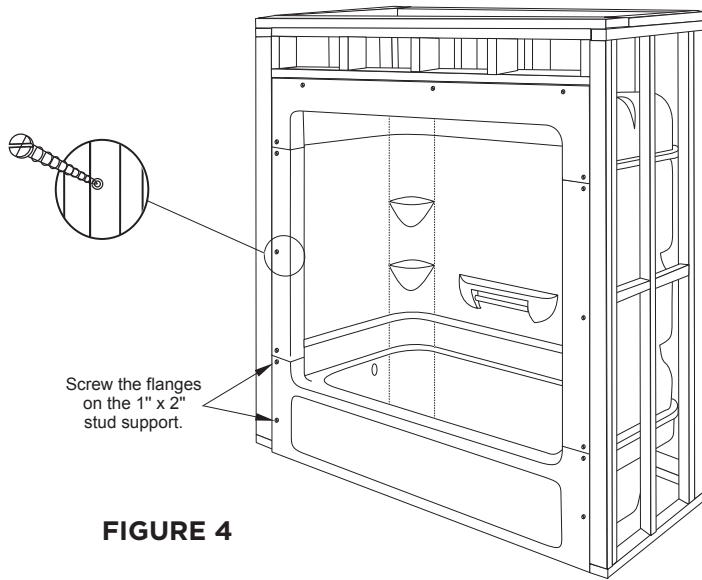


FIGURE 4

7. Apply silicone to the exposed screws to prevent corrosion. Apply silicone around the plumbing fittings as per the recommended instructions from the manufacturer (refer to manufacturers installation procedures). Ensure that all fittings are correct and that there are no leaks. Test the installation before finishing around the trim.
8. Remove the remainder of protective tape from the unit and clean with a mild cleaner to remove construction dirt and residue.
9. Wall finish should cover the fastening flange. The seam between the unit and the wall finish should be sealed with silicone. **(Figure 5)**

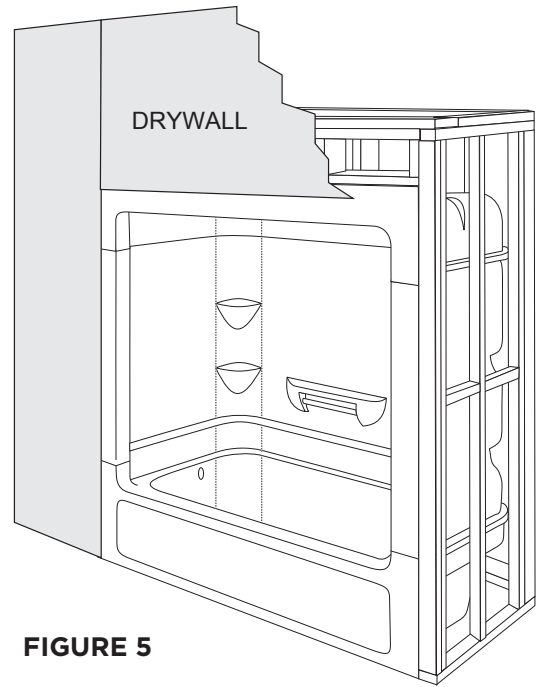


FIGURE 5

CLEANING

For normal care and cleaning use a soft cloth using our Longevity Acrylics *Acrylic Bathtub & Shower Clean & Shine*:

- It will gently clean all acrylic surfaces without scratching
- Leaves a lustrous shine that resists fogging, repels dust, and eliminates static
- Resist finger marking
- Contains no abrasive or harsh chemicals
- Leaves a clean smooth, greaseless shine

If using a household cleaner, make sure it is recommended for use on acrylic by the manufacturer. Be sure to read the label and follow the cleanser's recommendations. Never use abrasive cleaners.

Do not allow your Longevity bathware surface to come into contact with products such as ketones or esters such as acetone or ethyl acetate (nail polish remover), Wintergreen oil (methyl salicylate), nail polish, dry cleaning solution or other chlorinated organic solvents, lacquer thinners, gasoline, aromatic solvents, pine oil, etc.

Remove dust and dry dirt with a soft, damp cloth. Clean grease, oil, paint and ink stains with isopropyl (rubbing) alcohol. Dry with a clean, soft cloth.

Avoid using razor blades or other sharp instruments that might scratch the surface. Small scratches can be removed by applying a thin coat of automotive paste wax and buff lightly with a clean cloth.

If you use a rubber or plastic anti-skid mat, make sure to remove it after every shower to avoid harming the surface finish.

TABLE 1 - TECHNICAL DATA

	SHOWER TUBSHOWER MODEL	SHOWER WIDTH (BASED ON WIDTH OF SHOWER FLANGE TO FLANGE)	FRAMING SHOWER WIDTH (BASED ON WIDTH OF FRONT FLANGE + 1/4" ON EITHER SIDE FOR FRAMING)	FRAMING SHOWER HEIGHT (BASED ON HEIGHT OF TOP FLANGE + 1/4" FOR FRAMING)	SHOWER DEPTH	FRAMING SHOWER DEPTH + 1/4" FOR FRAMING)	DRAIN LOCATION FROM FRONT OF SHOWER TO DRAIN	DRAIN LOCATION (FROM SHOWER FRAME INCLUDES 1/4" FOR FRAMING)		
								F	E	F
								LEFT	CENTRE	RIGHT
1 pc.	9170 AL 9170 SC9170	70"	70-1/2"	88-1/4"	36"	36-1/4"	19"			
3 pc. Renovation	9173 AL9173 SC9173	70"	70-1/2"	88-1/4"	36 + 1-1/2" for channel = 37-1/2"	37-3/4"	19"			
1 pc.	SC2366	66 1/4"	66-3/4"	84-1/4"	36-1/2"	36-3/4"	18 1/2"			
1 pc.	2260 AL2260 SC2260	60"	60-1/2"	84-1/4"	36"	36-1/4"	18"			
3 pc. Renovation	2263 AL2263 SC2263	60"	60-1/2"	84-1/4"	36 + 1-1/2" for channel = 37-1/2"	37-3/4"	18"			
1 pc.	9160 AL9161	60"	60-1/2"	84-1/4"	32"	32-1/4"	17"	7-1/4"	31"	7-1/4"
3 pc. Renovation	9163 AL9161-3	60"	60-1/2"	84-1/4"	32 + 1-1/2" for channel = 33-1/2"	33-3/4"	17"	7-1/4"	31"	7-1/4"
1 pc.	9252 AL9252 SC9252	51"	51-1/2"	84-1/4"	36	36-1/4"	20 1/4"			
3 pc. Renovation	9253 AL9253 SC9253	51"	51-1/2"	84-1/4"	36 + 1-1/2" for channel = 37-1/2"	37-3/4"	20 1/4"			
1 pc.	2248 AL2248 SC2248	48"	48-1/2"	85-1/4"	33 1/2	33-3/4"	16 1/2"			
3 pc. Renovation	2243 AL2243 SC2243	48"	48-1/2"	85-1/4"	33.5 + 1-1/2" for channel = 35"	35-1/4"	16 1/2"			
1 pc.	2048 AL2048 SC2048	48"	48-1/2"	84-1/4"	32"	32-1/4"	17"			
3 pc. Renovation	2043 AL2043 SC2043	48"	48-1/2"	84-1/4"	32 + 1-1/2" for channel = 33-1/2"	33-3/4"	17"			
1 pc.	9241 AL9241 SC9241	40 3/4"	41-1/4"	84-1/4"	36-1/2"	36-3/4"	20"			
1 pc.	8836N AL8836N SC8836N	36"	36-1/2"	84-1/4"	34"	34-1/4"	18			
1 pc.	8836 AL8836 SC8836	36"	36-1/2"	84-1/4"	30"	30-1/4"	15			
1 pc.	2170 AL2170 SC2170	70"	70-1/2"	88-1/4"	36"	36-1/4"	17-1/2"	11-1/4"		11-1/4"
3 pc. Renovation	2173 AL2173 SC2173	70"	70-1/2"	88-1/4"	36 + 1-1/2" for channel = 37-1/2"	37-3/4"	17-1/2"	11-1/4"		11-1/4"
1 pc.	2060 AL2060 SC2060	60"	60-1/2"	84-1/4"	32"	32-1/4"	16-1/2"	8-3/4"		8-3/4"
3 pc. Renovation	2063 AL2063 SC2063	59 1/2"	60"	84-1/4"	32 + 1-1/2" for channel = 33-1/2"	33-3/4"	16-1/2"	7-3/4"		7-3/4"

Every effort has been made to offer the most current, correct, and clearly expressed information possible. Nevertheless, inadvertent errors or inaccuracies in the information may occur. Longevity Acrylics disclaims any responsibility for errors or accuracy of information that may be contained in its documents or web pages. Longevity Acrylics Inc. makes no warranties or representations whatsoever regarding the quality, content, completeness, suitability, adequacy, sequence, accuracy or timeliness of such information and data.