

FREESTANDING BATHTUBS

(6636 QDS / 6634QDS)



REQUIRED TOOLS


 Level


 Square


 Electric Drill


 Screwdriver


 Pencil


 Silicone Sealant Gun



Safety Equipment:
Gloves, Boots and Glasses

Congratulations on purchasing a Longevity Acrylics bathware product. Be assured that your product has been developed and is a highly engineered, quality product that is strong and durable to withstand the rigors of everyday life.

- Strength, durability and toughness to withstand frequent use
- Resistant to everyday wear and tear, stains, and superficial scratches
- Resistant to UV, and many household chemicals
- Qualities that make light work of cleaning and maintenance
- Beautiful warm, smooth surfaces that feel comfortable against the skin

INSPECTION: THIS ACRYLIC UNIT HAS BEEN CAREFULLY INSPECTED AND PACKED FOR SHIPMENT AT LONGEVITY ACRYLICS INC. PLEASE FULLY INSPECT THE UNIT BEFORE INSTALLATION.

Carefully remove the unit from the carton. Do not destroy the cardboard until you have inspected the unit thoroughly. Should your inspection reveal any damage or defect in the finish, do not install the unit—contact your distributor immediately.

The warranty does not cover damages or defects to the finish claimed after the unit has been installed. Longevity’s responsibility for shipping damages ceases upon delivery of the product in good order to the carrier.

Refer any claims for damages to the carrier.

BUILDING CODES

Be sure to follow local building codes when installing the bathware unit.

IT IS ALWAYS RECOMMENDED TO HAVE A PROFESSIONAL AND COMPETENT PLUMBER INSTALL LONGEVITY ACRYLICS BATHWARE.

CAUTION

- To cut plumbing fixture openings on your bathware unit ensure that you use the correct size hole saw based on the selected unit design.
- Always cut a plumbing fixture opening from the finished side of the unit.
- Always ensure that the surface of the unit is protected to prevent scratches in the surface.
- Install plumbing fixtures based on the manufacturers recommended installation instructions.
- The drain location on the unit is shown; however actual installation will depend on the waste and overflow which is purchased separately.

LONGEVITY ACRYLICS INC. IS NOT RESPONSIBLE FOR ANY DAMAGES INCURRED AS A RESULT OF POOR INSTALLATION OF THE PRODUCT.

INSTALLATION

GENERAL INSTALLATION NOTES

IMPORTANT: READ ALL INSTRUCTIONS CAREFULLY BEFORE PROCEEDING. STRUCTURE MEASUREMENTS MUST BE VERIFIED AGAINST THE UNIT. ENSURE THE STRUCTURE MEETS THE REQUIRED DIMENSIONS, IT IS LEVEL AND SQUARE.

Check that floor is level, adjust as necessary. Shimming may be required to level the bathtub unit to ensure adequate drainage. Levelling must be done under the wood base beneath the unit. Do not level directly behind or under the flange and/ or at the front of the unit.

ALWAYS ENSURE THAT THE SURFACE OF THE UNIT IS PROTECTED TO PREVENT SCRATCHES IN THE SURFACE.

INSTALLATION STEPS

1. Unpack the bathtub and be very careful during installation so as to not damage the acrylic surface of the tub.
2. Position the tub in the area where it will be installed. Mark the centre of the drainage line in relation with the desired position of the bathtub. (**Figure 1**)

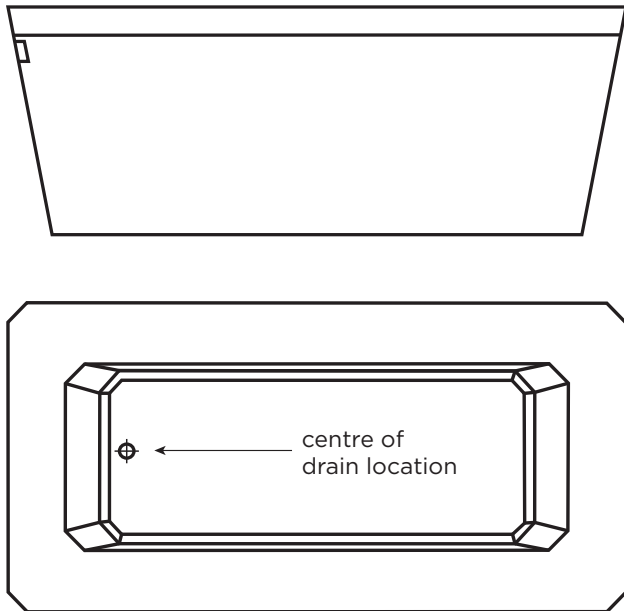


FIGURE 1

3. Carefully remove the tub interior from the apron of the tub by lifting the tub interior from its fastening/alignment pins. (**Figure 2**)
4. Align the centre of the drainage line with the sub-floor Cutout Template. Cut a 6-1/2" (16.5 cm) hole into wood sub-floor (use supplied Cutout Template).

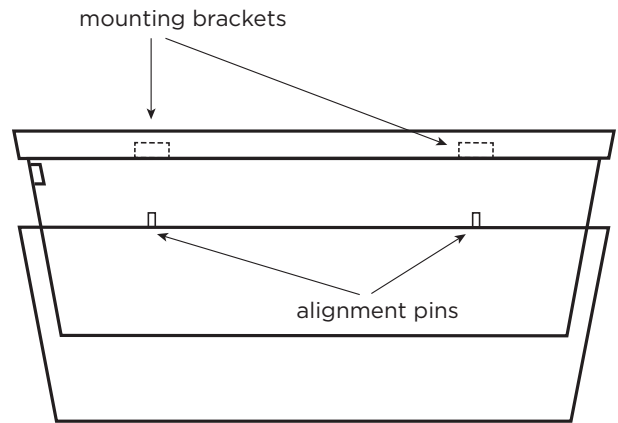
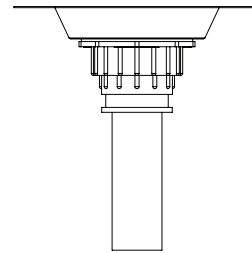
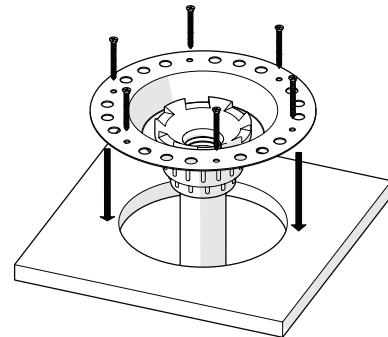


FIGURE 2

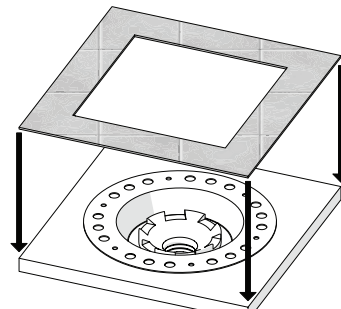
5. Measure and cut ABS Tailpiece as necessary to ensure a secure connection to P-Trap below.



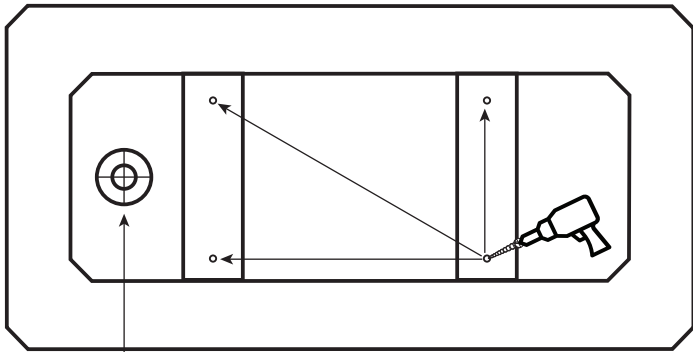
6. Insert Drain assembly into floor opening and connect to pipe below.
7. Affix to sub-floor with 6 screws (not supplied)



8. Install flooring surface, leaving a 6-1/2" opening to access Drain.



9. Adjust the position of the apron so that the alignment pins can be securely fastened to the mounting brackets.
10. Fasten the tub apron by pre-drilling four holes as indicated using a 3/8" drill bit. Apply a bead of silicone under the deck (optional). (**Figure 3**)



cutting template

FIGURE 3

11. Affix the appropriate Tailpiece to the Waste & Overflow.
NOTE: DO NOT CUT THE BRASS TAILPIECE AS THIS MAY CAUSE A LEAK. Ensure the measurement between the base of the Drain and P-Trap will accommodate the Tailpiece.
12. Cut out the Installation Label with a utility knife and remove to expose the Drain.
13. Apply lubricant (supplied) to the tailpiece.
14. Carefully position the tub and brass tailpiece in-line with the drain, and lower the tub back onto the fastening/alignment pins (ENSURE THAT THE FASTENING/ALIGNMENT PINS ARE SECURE INSIDE THE MOUNTING BRACKETS). (**Figure 4**)

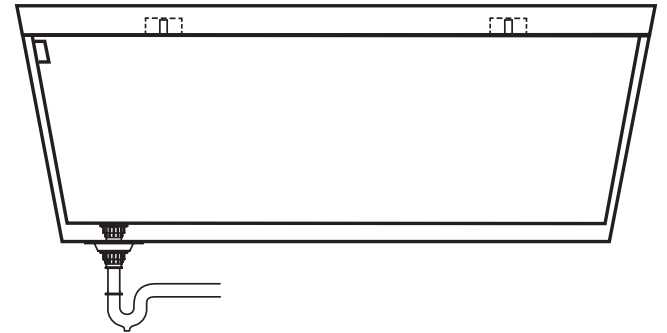
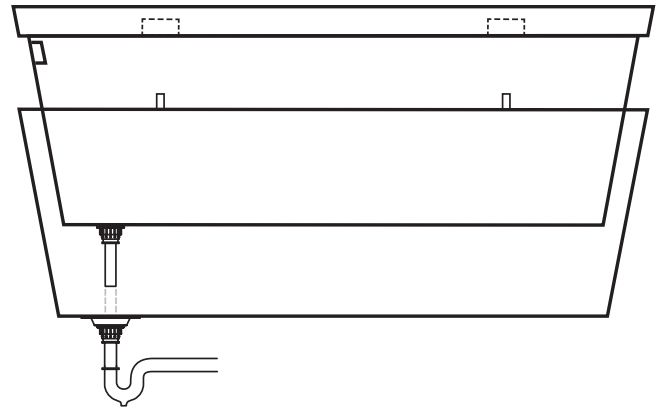


FIGURE 4

Carefully lower the tub with the installed brass tailpiece into the red collar in drain assembly. Ensure tailpiece is fully engaged with the seal.

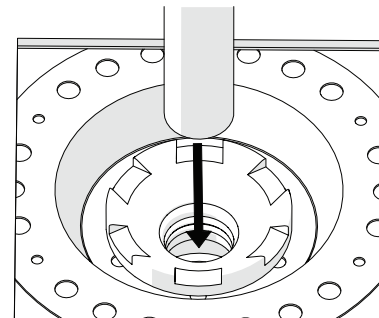


TABLE 1 - TECHNICAL DATA

Model#	A Wide	B Long	C High	Floor Dimension		D DrainBack	E DrainEnd
6636	36"	66"	24½"	45"x22"	CENTERDRAIN	33"	18"
6634	34"	67"	24½"	47½"x20"		17"	12"

CLEANING

For normal care and cleaning use a soft cloth using our Longevity Acrylics *Acrylic Bathtub & Shower Clean & Shine*:

- It will gently clean all acrylic surfaces without scratching
- Leaves a lustrous shine that resists fogging, repels dust, and eliminates static
- Resist finger marking
- Contains no abrasive or harsh chemicals
- Leaves a clean smooth, greaseless shine

If using a household cleaner, make sure it is recommended for use on acrylic by the manufacturer. Be sure to read the label and follow the cleanser's recommendations. Never use abrasive cleaners.

Do not allow your Longevity bathware surface to come

into contact with products such as ketones or esters such as acetone or ethyl acetate (nail polish remover), Wintergreen oil (methyl salicylate), nail polish, dry cleaning solution or other chlorinated organic solvents, lacquer thinners, gasoline, aromatic solvents, pine oil, etc.

Remove dust and dry dirt with a soft, damp cloth. Clean grease, oil, paint and ink stains with isopropyl (rubbing) alcohol. Dry with a clean, soft cloth.

Avoid using razor blades or other sharp instruments that might scratch the surface. Small scratches can be removed by applying a thin coat of automotive paste wax and buff lightly with a clean cloth.

If you use a rubber or plastic anti-skid mat, make sure to remove it after every shower to avoid harming the surface finish.