

BATHTUBS (Excludes Freestanding 6636 & 6634 models)



Congratulations on purchasing a Longevity Acrylics bathware product. Be assured that your product has been developed and is a highly engineered, quality product that is strong and durable to withstand the rigors of everyday life.

- Strength, durability and toughness to withstand frequent use
- Resistant to everyday wear and tear, stains, and superficial scratches
- Resistant to UV, and many household chemicals
- Qualities that make light work of cleaning and maintenance
- Beautiful warm, smooth surfaces that feel comfortable against the skin

INSPECTION: THIS ACRYLIC UNIT HAS BEEN CAREFULLY INSPECTED AND PACKED FOR SHIPMENT AT LONGEVITY ACRYLICS INC. PLEASE FULLY INSPECT THE UNIT BEFORE INSTALLATION.

Carefully remove the unit from the carton. Do not destroy the cardboard until you have inspected the unit thoroughly. Should your inspection reveal any damage or defect in the finish, do not install the unit—contact your distributor immediately.

The warranty does not cover damages or defects to the finish claimed after the unit has been installed. Longevity’s responsibility for shipping damages ceases upon delivery of the product in good order to the carrier.

Refer any claims for damages to the carrier.

BUILDING CODES

Be sure to follow local building codes when installing the bathware unit.

IT IS ALWAYS RECOMMENDED TO HAVE A PROFESSIONAL AND COMPETENT PLUMBER INSTALL LONGEVITY ACRYLICS BATHWARE.

CAUTION

- To cut plumbing fixture openings on your bathware unit ensure that you use the correct size hole saw based on the selected unit design.
- Always cut a plumbing fixture opening from the finished side of the unit.
- Always ensure that the surface of the unit is protected to prevent scratches in the surface.
- Install plumbing fixtures based on the manufacturers recommended installation instructions.
- The drain location on the unit is shown; however actual installation will depend on the waste and overflow which is purchased separately.

LONGEVITY ACRYLICS INC. IS NOT RESPONSIBLE FOR ANY DAMAGES INCURRED AS A RESULT OF POOR INSTALLATION OF THE PRODUCT.

INSTALLATION

GENERAL INSTALLATION NOTES

IMPORTANT: READ ALL INSTRUCTIONS CAREFULLY BEFORE PROCEEDING. STRUCTURE MEASUREMENTS MUST BE VERIFIED AGAINST THE UNIT. ENSURE THE STRUCTURE MEETS THE REQUIRED DIMENSIONS, IT IS LEVEL AND SQUARE.

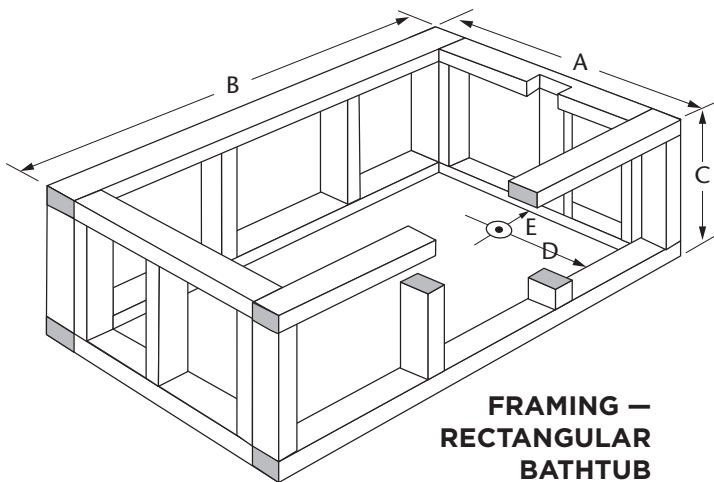
Check that floor is level, adjust as necessary. Shimming may be required to level the bathware unit to ensure adequate drainage. Do not level directly behind or under the flange and/or at the front of the unit.

ALWAYS ENSURE THAT THE SURFACE OF THE UNIT IS PROTECTED TO PREVENT SCRATCHES IN THE SURFACE.

DIMENSIONS VARY FROM A TUB ONLY, WHIRLPOOLS AND THERAPEUTICS. IT IS ALWAYS BEST TO HAVE THE TUB ON SITE BEFORE PREPARING TO INSTALL FOR ACCURATE HEIGHT DIMENSION.

INSTALLATION STEPS

1. Unpack the bathtub and be very careful during installation so as to not damage the acrylic surface of the tub. It is important that the tub rest on the floor. The deck is not to be used to support the tub.
2. Do not build a frame and sit the tub onto it until the tub is installed, plumbed, shimmed and tested. Doing so can result in cracks on the deck if the tub is not firmly sitting on the floor. It is important that the tub rest on the floor. The deck is not to be used to support the tub.



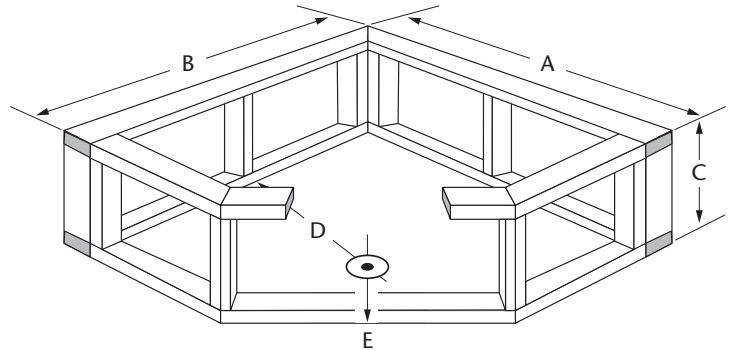
**FRAMING –
RECTANGULAR
BATHTUB**

The acrylic tub must be installed level to ensure proper operation and drainage. Since all floors are not level, shimming of the base may be required. All shims used to level base should be nailed or screwed into place.

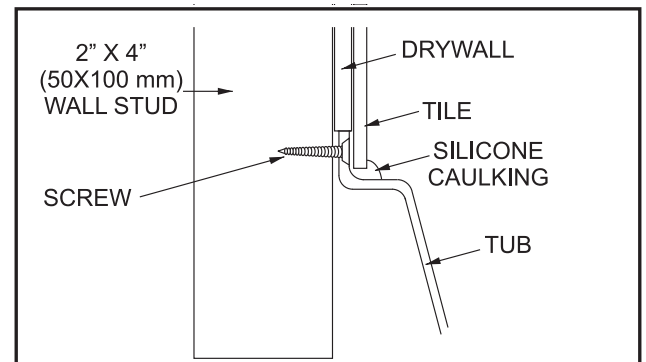
3. Electrical power supply must have ground fault breaker in

circuit.

4. Bathtub fittings should be installed as per manufacturers instructions.
5. Always ensure access to motors and blowers as the manufacturer can not be held responsible for removal of tiles etc. should warranty work be required.
6. Always test installation. Fill with water and test all working pump parts before closing around the tub with finishing trim.



FRAMING – CORNER BATHTUB



LOCATION FOR THE SCREWS

CLEANING

For normal care and cleaning use a soft cloth using our Longevity Acrylics *Acrylic Bathtub & Shower Clean & Shine*:

- It will gently clean all acrylic surfaces without scratching
- Leaves a lustrous shine that resists fogging, repels dust, and eliminates static
- Resist finger marking
- Contains no abrasive or harsh chemicals
- Leaves a clean smooth, greaseless shine

If using a household cleaner, make sure it is recommended for use on acrylic by the manufacturer. Be sure to read the label and follow the cleanser's recommendations. Never use abrasive cleaners.

Do not allow your Longevity bathware surface to come into contact with products such as ketones or esters such as acetone or ethyl acetate (nail polish remover), Wintergreen oil (methyl salicylate), nail polish, dry cleaning solution or other chlorinated organic solvents, lacquer thinners, gasoline, aromatic solvents, pine oil, etc.

Remove dust and dry dirt with a soft, damp cloth. Clean grease,

oil, paint and ink stains with isopropyl (rubbing) alcohol. Dry with a clean, soft cloth.

Avoid using razor blades or other sharp instruments that might scratch the surface.

If you use a rubber or plastic anti-skid mat, make sure to remove it after every shower to avoid harming the surface finish.

TABLE 1 - TECHNICAL DATA

Model#	A Wide	B Long	C High	Drain Location	D DrainBack	E DrainEnd
7236	36"	72"	20"	END DRAIN	18"	8½"
7234S	34"	72"	20"	END DRAIN	17"	8"
6036	36"	60"	19"	END DRAIN	16½"	8½"
6032S	32"	60"	20"	END DRAIN	16"	8"
6032A	32"	60"	18½"	END DRAIN	16"	8"
6032	31½"	60"	20"	END DRAIN	16"	8½"
6063C	60"	60"	20"	CENTER DRAIN	42"	11½"
5454C	54"	54"	20"	CENTER DRAIN	38"	12"

INSTALLATION GUIDELINES – SPA SYSTEMS

- If you are ordering a combination system (air massage system/ hydro massage system/mini lateral system), you must order the optional access panel, and there must be an additional access point for the blower (models 6032S, 7234S, 2170, 2060).
- If you are installing a combination system (air massage system & hydro massage system/mini lateral system), the optional access panel only gives you access to the motor (hydro massage system). You cannot access the blower through the optional access panel.
- When ordering a combination system a 3' extension kit is available so that the blower can be installed in a remote area.
- **If you are installing a combination system (air massage system & hydro massage system/mini lateral system), you need an additional 6" behind the flange of the tub to accommodate both systems (headrest end).**
- If you are installing only the air massage system, or only the hydro massage system no additional space is required behind the flange of the tub (headrest end).

Every effort has been made to offer the most current, correct, and clearly expressed information possible. Nevertheless, inadvertent errors or inaccuracies in the information may occur. Longevity Acrylics disclaims any responsibility for errors or accuracy of information that may be contained in its documents or web pages. Longevity Acrylics Inc. makes no warranties or representations whatsoever regarding the quality, content, completeness, suitability, adequacy, sequence, accuracy or timeliness of such information and data.

