

60 in. Acrylic Tub Shower

High quality, non-porous acrylic surface is easy to clean, germ and residue free

ESSENTIA 2060
RENOVATION II 2063 Renovation Friendly



Shown: door model TS-51SL-GEM-C/C

60 in. Adult Living Tub Shower

Designed for aging in place applications

AL2060
AL2063 Renovation Friendly



Sizes	h 84" x w 60" x d 32" (1 pc.) h 84" x w 60" x d 33-1/2" (3 pc.) (sectional heights: top: 13", mid: 46", bottom: 25")	
Slope of Backrest	25°	
Threshold Height	19-1/2"	
Weight	180 lb / 82 kg (Weight may vary by options and configuration of unit)	185 lb / 84 kg (Weight may vary by options and configuration of unit)
Water Volume	59 gal / 271 l	
Drain Location	Left or right end drain	
Surface	High quality, non-porous acrylic surface is easy to clean, germ and residue free	
Bars	Centre shelf complete with acrylic towel bar	Factory Installed smooth finish, powder coated white stainless steel grab bars (2) for safety and ease of shower entry and exit
Base	Reinforced shower base provides added strength to unit	
Other	Large tub area with ergonomic backrest, self draining soap dishes/shelves, designed to be installed on the existing sub-floor	
Compliance Certification	Compliance Certifications meet or exceed the following specifications: - CAN/ULC - S102.2 - M88 Flame Spread FRP laminate rating - B45.5-11/IAPMO Z124-2011	

Product image and technical drawing may be shown with optional equipment. Can be customized with a wide range of accessories and options. This retail catalogue is for general information purposes only and may contain optional equipment and / or configurations. Please consult your wholesaler, sales associate or Longevity Acrylics Inc. to obtain current dimensions, specifications, guidelines, options and prices which are available through Longevity Acrylics Inc current Price Book. Dimensions of fixtures are nominal and may vary +/- 1/2" (12 mm) - Optional equipment, specifications and measurements are subject to change at manufacturers discretion.

OPTIONS (Model#-"X" denotes that the model has options added + add option model code)

Model	Description	2060 2063	AL2060 AL2063
COLOURS			
Standard	White	X	X
LIGHTS			
DL-4LED-WH	4" LED Round Dome light factory installed, white trim	X	X
DL-4LED-BK	4" LED Round Dome light factory installed, black trim	X	X
DL-4LED-CH	4" LED Round Dome light factory installed, chrome trim	X	X
CURTAIN RODS			
SCR	Stainless steel shower curtain rod	X	X
SCR-CUR	Curved shower curtain rod	X	X
SEATS			
70-PA2814501	28" x 14-1/2" Flip Up Tub Seat (White Padded)	X	X
70-PH2814501	28" x 14-1/2" Flip Up Tub Seat (White Phenolic)	X	X
70-PH2814515	28" x 14-1/2" Flip Up Tub Seat (Woodgrain Phenolic)	X	X
GRAB BARS			
24SSGB	24" stainless steel grab bar factory installed	X	
30SSGB	30" stainless steel grab bar factory installed	X	
24SWGB	24" stainless steel white powder coated grab bar factory installed	X	X
30SWGB	30" stainless steel white powder coated grab bar factory installed	X	X
DB-18-PCW	Dependa-Bar™ 18"/46cm, White factory installed (replaces "S" shaped grab bar)		X
DOORS			
TS-51SL-COR-C/C	2 panel sliding door - Chrome/Clear - Frameless glass panels	X	X
TS-51SL-COR-C/O	2 panel sliding door - Chrome/Obscure - Frameless glass panels	X	X
TS-40BFS-C/C	Bifold pivot tub shield - Chrome/Clear - 6mm glass	X	X
TS-40BFS-B/C	Bifold pivot tub shield - Black/Clear - 6mm glass	X	X
TS-51SL-GEM-C/C	2 panel Inline Bypass Plus - Chrome/Clear - 10mm frameless glass panels	X	X
TS-51SL-GEM-B/C	2 panel Inline Bypass Plus - Black/Clear - 10mm frameless glass panels	X	X

60 po. Baignoire-douche en acrylique
 Surface d'acrylique haute qualité, non poreuse, facile à nettoyer, sans germes ni résidus

ESSENTIA 2060
RENOVATION II 2063 Pro Rénovation



Montré : porte modèle TS-51SL-GEM-C/C

60 po. Baignoire-douche générations
 Conçu pour les applications de vieillissement chez soi

AL2060
AL2063 Pro Rénovation



Dimensions h 84" x l 60" x p 32" (1 pc.)
 h 84" x l 60" x p 33-1/2" (3 pc.) (hauteurs de section : haut : 13", milieu : 46", bas : 25")

Pente du dossier 25°

Hauteur du seuil 19-1/2"

Poids 180 lb / 82 kg
 (Le poids peut varier selon les options/configurations de l'unité)

185 lb / 84 kg
 (Le poids peut varier selon les options/configurations de l'unité)

Volume d'eau 59 gal / 271 l

Position du drain **Drain d'extrémité de gauche ou droit**

Surface Surface d'acrylique haute qualité, non poreuse facile à nettoyer, sans germes ni résidus

Barres Étagère centrale avec porte-serviettes en acrylique

Barres d'appui (2) en acier inoxydable peintes en poudre blanche avec finition lisse, installées en usine pour la sécurité et la facilité d'entrée et de sortie de la douche

Base Base de douche renforcée pour solidifier l'unité

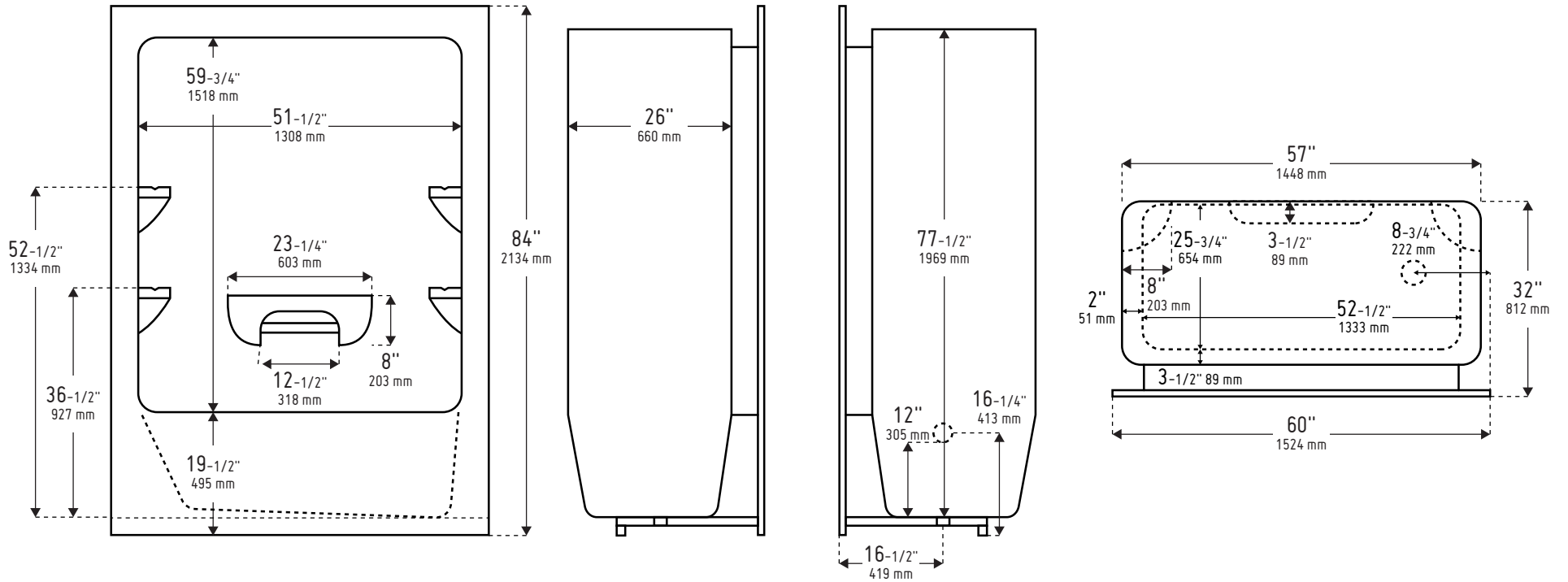
Autres Grande section de baignoire avec dossier ergonomique, porte-savons/étagères auto-drainants, conçu pour être installé sur le sous plancher existant

Certification conformité Certifications de conformité atteignent ou dépassent les spécifications suivantes :
 - CAN/ULC - S102.2 - M88 Flame Spread FRP laminate rating
 - B45.5-11/IAPMO Z124-2011

L'image du produit et le dessin technique peuvent être affichés avec l'équipement en option. Peut être personnalisé avec une large gamme d'accessoires et d'options. Ce catalogue de vente au détail est pour des fins d'informations générales et peut contenir des équipements et/ou des configurations optionnels. S'il vous plaît consulter votre fournisseur, associé aux ventes ou Longevity Acrylics Inc. pour obtenir les dimensions, les spécifications, les directives, les options et les prix courants qui sont disponibles à travers la liste de prix actuelle de Longevity Acrylics Inc. Les dimensions des appareils sont nominales et peuvent varier de +/- 1/2" (12 mm). Les équipements en option, les spécifications et les mesures sont susceptibles de changer à la discrétion du fabricant.

OPTIONS (Modèle#-"X" démontre que ce modèle comporte des options ajoutées + ajouter le code du modèle d'option)

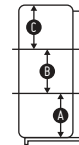
Modèle	Description	2060 2063	AL2060 AL2063
COULEURS			
Standard	Blanc	X	X
LUMIÈRES			
DL-4LED-WH	Lumière à dôme rond DEL de 4" installée en usine, blanc	X	X
DL-4LED-BK	Lumière à dôme rond DEL de 4" installée en usine, noir	X	X
DL-4LED-CH	Lumière à dôme rond DEL de 4" installée en usine, chrome	X	X
TRINGLES À RIDEAUX			
SCR	Tringle à rideau de douche en acier inoxydable	X	X
SCR-CUR	Tringle à rideau de douche courbée	X	X
SIÈGES			
70-PA2814501	Siège pliable de 28" x 14-1/2" (coussiné blanc)	X	X
70-PH2814501	Siège pliable de 28" x 14-1/2" (phénolique blanc)	X	X
70-PH2814515	Siège pliable de 28" x 14-1/2" (phénolique simili-bois)	X	X
BARRES D'APPUI			
24SSGB	Barre d'appui de 24" en acier inoxydable, installée en usine	X	
30SSGB	Barre d'appui de 30" en acier inoxydable, installée en usine	X	
24SWGB	Barre d'appui de 24" en acier inoxydable enduite de poudre blanche, installée en usine	X	X
30SWGB	Barre d'appui de 30" en acier inoxydable enduite de poudre blanche, installée en usine	X	X
DB-18-PCW	Dependa-Bar™ 18"/46cm, blanc, installée en usine		X
PORTES			
TS-51SL-COR-C/C	Porte coulissante à 2 panneaux - Chrome/Transparent - Panneaux de verre sans cadre	X	X
TS-51SL-COR-C/O	Porte coulissante à 2 panneaux - Chrome/Obscure - Panneaux de verre sans cadre	X	X
TS-40BFS-C/C	Porte pivotante à 2 volets "tub shield" - Chrome/Transparent - Panneaux de verre 6mm	X	X
TS-40BFS-B/C	Porte pivotante à 2 volets "tub shield" - Noir/Transparent - Panneaux de verre 6mm	X	X
TS-51SL-GEM-C/C	Porte "Bypass Plus" à 2 panneaux en ligne - Chrome/Transparent - Panneaux de verre sans cadre 10mm	X	X
TS-51SL-GEM-B/C	Porte "Bypass Plus" à 2 panneaux en ligne - Noir/Transparent - Panneaux de verre sans cadre 10mm	X	X



One piece dimensions shown. For two and three piece shower and tubshower bathware units allow an extra 1-1/2" to the depth of the unit for the joint assembly.



1-1/2" 38 mm



A: 25" 635 mm
 B: 46" 1168 mm
 C: 13" 330 mm



Compliance Certifications meet or exceed the following specifications:

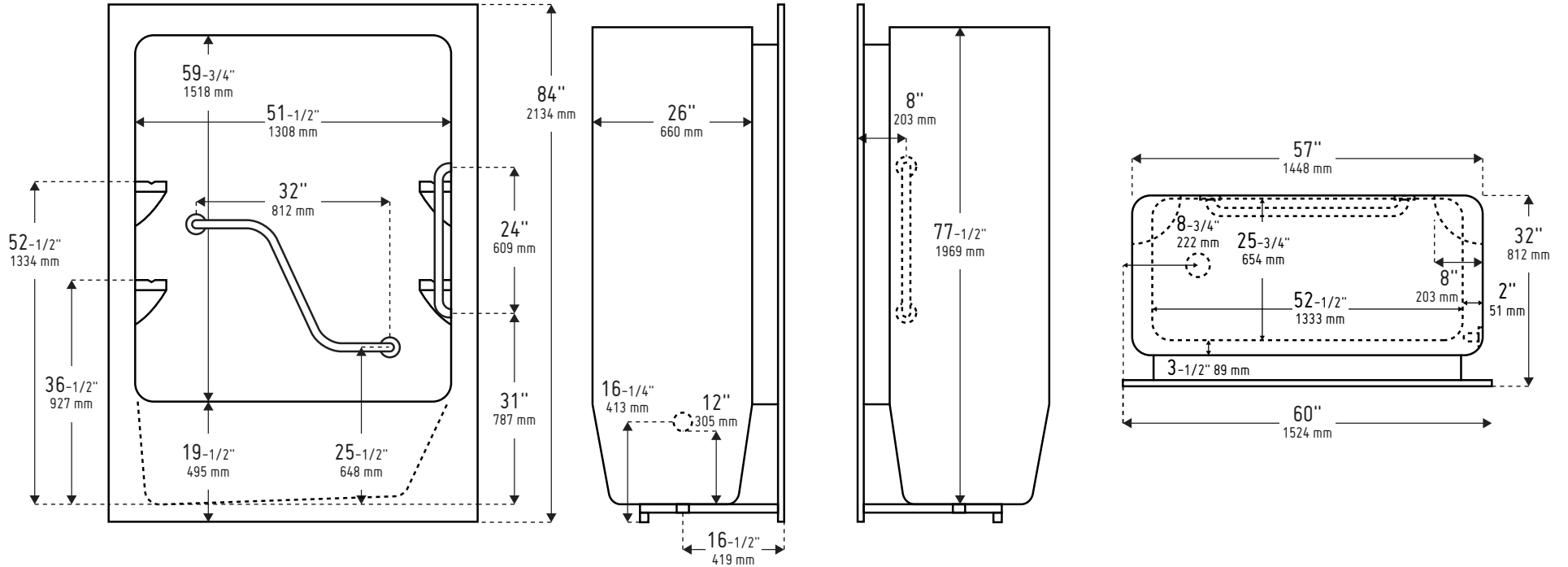
- CAN/ULC - S102.2 - M88 Flame Spread FRP laminate rating
- B45.5-11/IAPMO Z124-2011

LONGEVITY		
Department ACRYLIC	Reference / Job Location	
Name ESSENTIA 2060 / RENOVATION II 2063		
Drawing by IAN MCLEAN	Scale NTS	DWG No.
Date	Revision	

APPROVAL
Engineering Firm
Engineer Signature Approval
Customer Signature of Approval
Date

DRAWING SUBJECT TO ENGINEERS APPROVAL

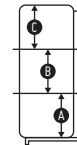
Every effort has been made to offer the most current, correct, and clearly expressed information possible. Nevertheless, inadvertent errors in information may occur. Longevity Acrylics Inc. disclaims any responsibility for errors and accuracy of the information that may be contained in its documents or web pages. Longevity Acrylics Inc. makes no warranties or representations whatsoever regarding the quality, content, completeness, suitability, adequacy, sequence, accuracy or timeliness of such information and data.



One piece dimensions shown. For two and three piece shower and tubshower bathware units allow an extra 1-1/2" to the depth of the unit for the joint assembly.



1-1/2" 38 mm



A : 25" 635 mm
 B : 46" 1168 mm
 C : 13" 330 mm



Compliance Certifications meet or exceed the following specifications:

- CAN/ULC - S102.2 - M88 Flame Spread FRP laminate rating
- B45.5-11/IAPMO Z124-2011

LONGEVITY		
Department ACRYLIC	Reference / Job Location	
Name AL2060 / AL2063		
Drawing by IAN MCLEAN	Scale NTS	DWG No.
Date	Revision	

APPROVAL
Engineering Firm
Engineer Signature Approval
Customer Signature of Approval
Date

DRAWING SUBJECT TO ENGINEERS APPROVAL

Every effort has been made to offer the most current, correct, and clearly expressed information possible. Nevertheless, inadvertent errors in information may occur. Longevity Acrylics Inc. disclaims any responsibility for errors and accuracy of the information that may be contained in its documents or web pages. Longevity Acrylics Inc. makes no warranties or representations whatsoever regarding the quality, content, completeness, suitability, adequacy, sequence, accuracy or timeliness of such information and data.