

## 70 in. Acrylic Tub Shower

High quality, non-porous acrylic surface is easy to clean, germ and residue free

**EVEREST 2170**  
**AVALANCHE 2173** Renovation Friendly



Shown door model IS 60SL-COR-C/C

## 70 in. Adult Living Tub Shower

Designed for aging in place applications

**AL2170**  
**AL2173** Renovation Friendly



Sizes h 88" x w 70" x d 36" (1 pc.)  
 h 88" x w 70" x d 37-1/2" (3 pc.) (sectional heights: top: 12-3/4", mid: 48-1/2", bottom: 26-3/4")

Slope of Backrest 25°

Threshold Height 21-1/2"

Weight 220 lb / 100 kg  
 (Weight may vary by options and configuration of unit)

230 lb / 104 kg  
 (Weight may vary by options and configuration of unit)

Water Volume 79 gal / 362 l

Drain Location **Left or right end drain**

Surface High quality, non-porous acrylic surface is easy to clean, germ and residue free

Bars Centre shelf complete with acrylic towel bar

Factory Installed smooth finish, powder coated white stainless steel grab bars (2) for safety and ease of shower entry and exit

Base Reinforced shower base provides added strength to unit

Other Large tub area with ergonomic backrest, self draining soap dishes/shelves, designed to be installed on the existing sub-floor

Compliance Certification Compliance Certifications meet or exceed the following specifications:  
 - CAN/ULC - S102.2 - M88 Flame Spread FRP laminate rating  
 - B45.5-11/IAPMO Z124-2011

Product image and technical drawing may be shown with optional equipment. Can be customized with a wide range of accessories and options. This retail catalogue is for general information purposes only and may contain optional equipment and / or configurations. Please consult your wholesaler, sales associate or Longevity Acrylics Inc. to obtain current dimensions, specifications, guidelines, options and prices which are available through Longevity Acrylics Inc current Price Book. Dimensions of fixtures are nominal and may vary +/- 1/2" (12 mm) - Optional equipment, specifications and measurements are subject to change at manufacturers discretion.

## OPTIONS (Model#-"X" denotes that the model has options added + add option model code)

Model	Description	2170 2173	AL2170 AL2173
<b>COLOURS</b>			
Standard	White	X	X
<b>LIGHTS</b>			
DL-4LED-WH	4" LED Round Dome light factory installed, white trim	X	X
DL-4LED-BK	4" LED Round Dome light factory installed, black trim	X	X
DL-4LED-CH	4" LED Round Dome light factory installed, chrome trim	X	X
<b>CURTAIN RODS</b>			
SCR	Stainless steel shower curtain rod	X	X
SCR-CUR	Curved shower curtain rod	X	X
<b>SEATS</b>			
70-PA2814501	28" x 14-1/2" Flip Up Tub Seat (White Padded)	X	X
70-PH2814501	28" x 14-1/2" Flip Up Tub Seat (White Phenolic)	X	X
70-PH2814515	28" x 14-1/2" Flip Up Tub Seat (Woodgrain Phenolic)	X	X
<b>GRAB BARS</b>			
24SSGB	24" stainless steel grab bar factory installed	X	
30SSGB	30" stainless steel grab bar factory installed	X	
24SWGB	24" stainless steel white powder coated grab bar factory installed	X	X
30SWGB	30" stainless steel white powder coated grab bar factory installed	X	X
DB-18-PCW	Dependa-Bar™ 18"/46cm, White factory installed (replaces "S" shaped grab bar)		X
<b>DOORS</b>			
TS-60SL-COR-C/C	2 panel sliding door - Chrome/Clear - Frameless glass panels	X	X
TS-60SL-GEM-C/C	panel Inline Bypass Plus - Chrome/Clear - 10mm frameless glass panels	X	X

70 po. Baignoire-douche en acrylique  
 Surface d'acrylique haute qualité, non poreuse, facile à nettoyer, sans germes ni résidus

**EVEREST 2170**  
**AVALANCHE 2173** Pro Rénovation



70 po. Baignoire-douche générations  
 Conçu pour les applications de vieillissement chez soi

**AL2170**  
**AL2173** Pro Rénovation



Dimensions h 88" x l 70" x p 36" (1 pc.)  
 h 88" x l 70" x p 37-1/2" (3 pc.) (hauteurs de section : haut : 12-3/4", milieu : 48-1/2", bas : 26-3/4")

Pente du dossier 25°

Hauteur du seuil 21-1/2"

Poids 220 lb / 100 kg  
 (Le poids peut varier selon les options/configurations de l'unité)

230 lb / 104 kg  
 (Le poids peut varier selon les options/configurations de l'unité)

Volume d'eau 79 gal / 362 l

Position du drain **Drain d'extrémité de gauche ou droit**

Surface Surface d'acrylique haute qualité, non poreuse facile à nettoyer, sans germes ni résidus

Barres Étagère centrale avec porte-serviettes en acrylique

Barres d'appui (2) en acier inoxydable peintes en poudre blanche avec finition lisse, installées en usine pour la sécurité et la facilité d'entrée et de sortie de la douche

Base Base de douche renforcée pour solidifier l'unité

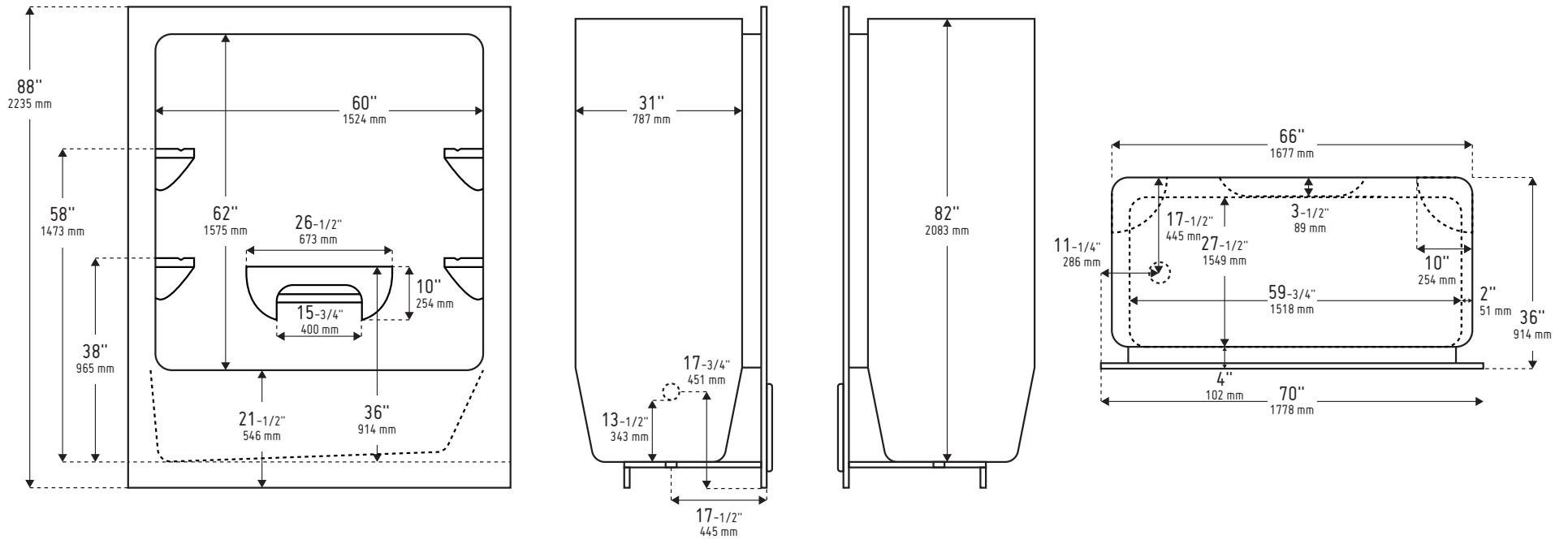
Autres Grande section de baignoire avec dossier ergonomique, porte-savons/étagères auto-drainants, conçu pour être installé sur le sous plancher existant

Certification conformité Certifications de conformité atteignent ou dépassent les spécifications suivantes :  
 - CAN/ULC - S102.2 - M88 Flame Spread FRP laminate rating  
 - B45.5-11/IAPMO Z124-2011

L'image du produit et le dessin technique peuvent être affichés avec l'équipement en option. Peut être personnalisé avec une large gamme d'accessoires et d'options. Ce catalogue de vente au détail est pour des fins d'informations générales et peut contenir des équipements et/ou des configurations optionnels. S'il vous plaît consulter votre fournisseur, associé aux ventes ou Longevity Acrylics Inc. pour obtenir les dimensions, les spécifications, les directives, les options et les prix courants qui sont disponibles à travers la liste de prix actuelle de Longevity Acrylics Inc. Les dimensions des appareils sont nominales et peuvent varier de +/- 1/2" (12 mm). Les équipements en option, les spécifications et les mesures sont susceptibles de changer à la discrétion du fabricant.

## OPTIONS (Modèle#- "X" démontre que ce modèle comporte des options ajoutées + ajouter le code du modèle d'option)

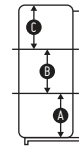
Modèle	Description	2170 2173	AL2170 AL2173
<b>COULEURS</b>			
Standard	Blanc	X	X
<b>LUMIÈRES</b>			
DL-4LED-WH	Lumière à dôme rond DEL de 4" installée en usine, blanc	X	X
DL-4LED-BK	Lumière à dôme rond DEL de 4" installée en usine, noir	X	X
DL-4LED-CH	Lumière à dôme rond DEL de 4" installée en usine, chrome	X	X
<b>TRINGLES À RIDEAUX</b>			
SCR	Tringle à rideau de douche en acier inoxydable	X	X
SCR-CUR	Tringle à rideau de douche courbée	X	X
<b>SIÈGES</b>			
70-PA2814501	Siège pliable de 28" x 14-1/2" (coussiné blanc)	X	X
70-PH2814501	Siège pliable de 28" x 14-1/2" (phénolique blanc)	X	X
70-PH2814515	Siège pliable de 28" x 14-1/2" (phénolique simili-bois)	X	X
<b>BARRES D'APPUI</b>			
24SSGB	Barre d'appui de 24" en acier inoxydable, installée en usine	X	
30SSGB	Barre d'appui de 30" en acier inoxydable, installée en usine	X	
24SWGB	Barre d'appui de 24" en acier inoxydable enduite de poudre blanche, installée en usine	X	X
30SWGB	Barre d'appui de 30" en acier inoxydable enduite de poudre blanche, installée en usine	X	X
DB-18-PCW	Dependa-Bar™ 18"/46cm, blanc, installée en usine		X
<b>PORTES</b>			
TS-60SL-COR-C/C	Porte coulissante à 2 panneaux - Chrome/Transparent - Panneaux de verre sans cadre	X	X
TS-60SL-GEM-C/C	Porte "Bypass Plus" à 2 panneaux en ligne - Noir/Transparent - Panneaux de verre sans cadre 10mm	X	X



One piece dimensions shown. For two and three piece shower and tubshower bathware units allow an extra 1-1/2" to the depth of the unit for the joint assembly.



1-1/2" 38 mm



A: 26-3/4" 679 mm  
 B: 48-1/2" 1232 mm  
 C: 12-3/4" 324 mm



Compliance Certifications meet or exceed the following specifications:

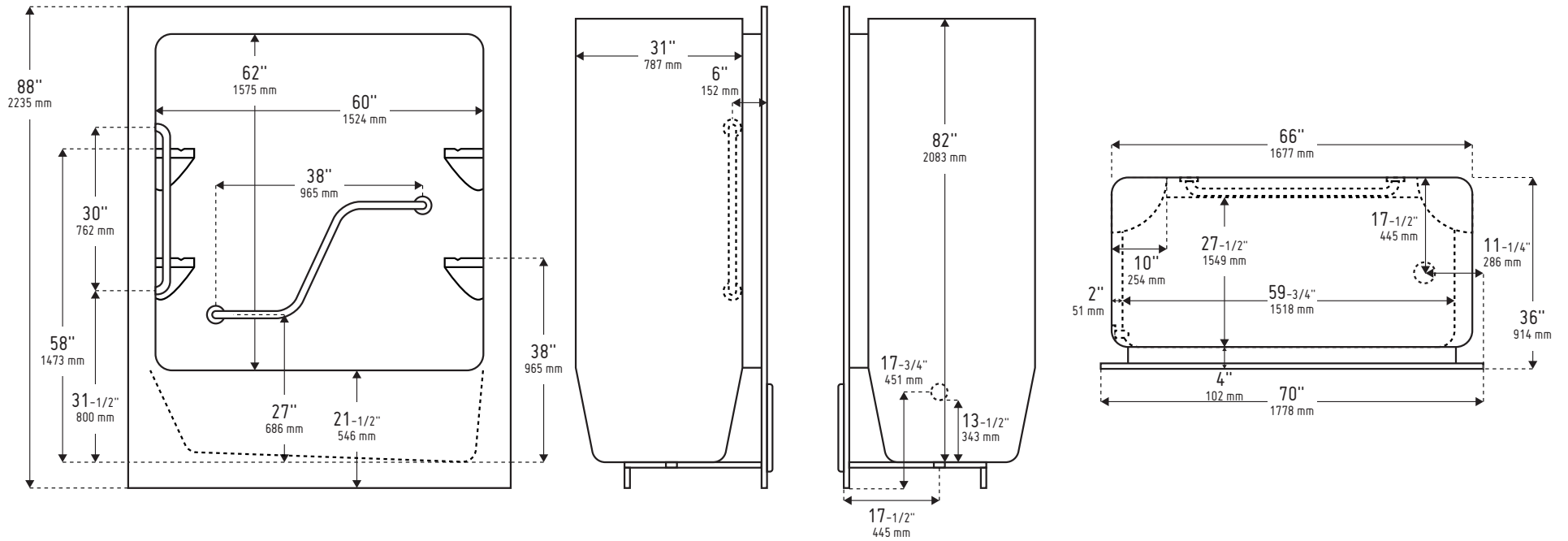
- CAN/ULC - S102.2 - M88 Flame Spread FRP laminate rating
- B45.5-11/IAPMO Z124-2011

<b>LONGEVITY</b>		
Department ACRYLIC	Reference / Job Location	
Name EVEREST II 2170 / AVALANCHE 2173		
Drawing by IAN MCLEAN	Scale NTS	DWG No.
Date	Revision	

APPROVAL
Engineering Firm
Engineer Signature Approval
Customer Signature of Approval
Date

**DRAWING SUBJECT TO ENGINEERS APPROVAL**

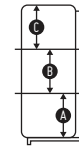
Every effort has been made to offer the most current, correct, and clearly expressed information possible. Nevertheless, inadvertent errors in information may occur. Longevity Acrylics Inc. disclaims any responsibility for errors and accuracy of the information that may be contained in its documents or web pages. Longevity Acrylics Inc. makes no warranties or representations whatsoever regarding the quality, content, completeness, suitability, adequacy, sequence, accuracy or timeliness of such information and data.



One piece dimensions shown. For two and three piece shower and tubshower bathware units allow an extra 1-1/2" to the depth of the unit for the joint assembly.



1-1/2" 38 mm



A: 26-3/4" 679 mm  
 B: 48-1/2" 1232 mm  
 C: 12-3/4" 324 mm



Compliance Certifications meet or exceed the following specifications:

- CAN/ULC - S102.2 - M88 Flame Spread FRP laminate rating
- B45.5-11/IAPMO Z124-2011

<b>LONGEVITY</b>		
Department ACRYLIC	Reference / Job Location	
Name AL2170 / AL2173		
Drawing by IAN MCLEAN	Scale NTS	DWG No.
Date	Revision	

APPROVAL
Engineering Firm
Engineer Signature Approval
Customer Signature of Approval
Date

**DRAWING SUBJECT TO ENGINEERS APPROVAL**

Every effort has been made to offer the most current, correct, and clearly expressed information possible. Nevertheless, inadvertent errors in information may occur. Longevity Acrylics Inc. disclaims any responsibility for errors and accuracy of the information that may be contained in its documents or web pages. Longevity Acrylics Inc. makes no warranties or representations whatsoever regarding the quality, content, completeness, suitability, adequacy, sequence, accuracy or timeliness of such information and data.