

41 in. Acrylic Shower

High quality, non-porous acrylic surface is easy to clean, germ and residue free

HARVEST 9241



41 in. Adult Living Shower

Designed for aging in place applications

AL9241



NO SEAT the shower comes with the self draining soap dishes/shelves in both corners of the shower (unless requested to be removed).
 PHENOLIC SEAT the shower comes with the self draining soap dishes/shelves in both corners of the shower (unless requested to be removed).

Sizes	h 84" x w 41" x d 36-1/2" (1 pc.)	
Threshold Height	5-1/2"	
Weight	150 lb / 68 kg (Weight may vary by options and configuration of unit)	155 lb / 70 kg (Weight may vary by options and configuration of unit)
Drain Location	Centre drain	
Surface	High quality, non-porous acrylic surface is easy to clean, germ and residue free	
Bars	Not applicable	Factory Installed smooth finish, powder coated white stainless steel grab bars (2) for safety and ease of shower entry and exit
Strainer	Quality 2"/51 mm ABS drain with stainless steel strainer	
Base	Reinforced shower base provides added strength to unit	
Other	Front ledge with drip lip, self draining soap dishes/shelves, textured bottom	Front ledge with drip lip, self draining soap dishes/shelves, textured bottom
Compliance Certification	Compliance Certifications meet or exceed the following specifications: - CAN/ULC - S102.2 - M88 Flame Spread FRP laminate rating - B45.5-11/IAPMO Z124-2011	

Product image and technical drawing may be shown with optional equipment. Can be customized with a wide range of accessories and options. This retail catalogue is for general information purposes only and may contain optional equipment and / or configurations. Please consult your wholesaler, sales associate or Longevity Acrylics Inc. to obtain current dimensions, specifications, guidelines, options and prices which are available through Longevity Acrylics Inc current Price Book. Dimensions of fixtures are nominal and may vary +/- 1/2" (12 mm) - Optional equipment, specifications and measurements are subject to change at manufacturers discretion.

OPTIONS (Model#-"X" denotes that the model has options added + add option model code)

Model	Description	9241	AL9241
COLOURS			
Standard	White	X	X
LIGHTS			
DL-4LED-WH	4" LED Round Dome light factory installed, white trim	X	X
DL-4LED-BK	4" LED Round Dome light factory installed, black trim	X	X
DL-4LED-CH	4" LED Round Dome light factory installed, chrome trim	X	X
CURTAIN RODS			
SCR	Stainless steel shower curtain rod	X	X
SEATS			
63-PA1451801	18" x 14-1/2" Jr. Fold Down Seat RECTANGLE (White Padded)	X	X
63-PH1451801	18" x 14-1/2" Jr. Fold Down Seat RECTANGLE (White Phenolic)	X	X
63-PH14518515	18" x 14-1/2" Jr. Fold Down Seat RECTANGLE (Woodgrain Phenolic)	X	X
GRAB BARS			
24SWG	24" stainless steel white powder coated grab bar factory installed	X	X
30SWG	30" stainless steel white powder coated grab bar factory installed	X	X
DB-18-PCW	Dependa-Bar™ 18"/46cm, White, factory installed (replaces standard "S" shaped s.s. white grab bar)		X
SHOWER DRAINS			
SERENITY DRAIN-BK	Round Serenity Brass Shower Drain Infinity Style, black	X	X
SERENITY DRAIN-CH	Round Serenity Brass Shower Drain Infinity Style, chrome	X	X
SYMPHONY DRAIN-BK	Round Symphony Brass Shower Drain Grate Style with removal hair trap, black	X	X
SYMPHONY DRAIN-CH	Round Symphony Brass Shower Drain Grate Style with removal hair trap, chrome	X	X
PVC-FR DRAIN	2" PVC fire rated shower drain	X	X
DOORS			
SS-3IP-MON-C/C	Pivot door - Chrome/Clear - Framed glass panel	X	X
SS-3IP-MON-C/O	Pivot door - Chrome/Obscure - Framed glass panel	X	X

41 po. Douche en acrylique
 Surface d'acrylique haute qualité, non poreuse,
 facile à nettoyer, sans germes ni résidus
HARVEST 9241

41 po. Douche générations
 Conçu pour les applications de
 vieillissement chez soi
AL9241



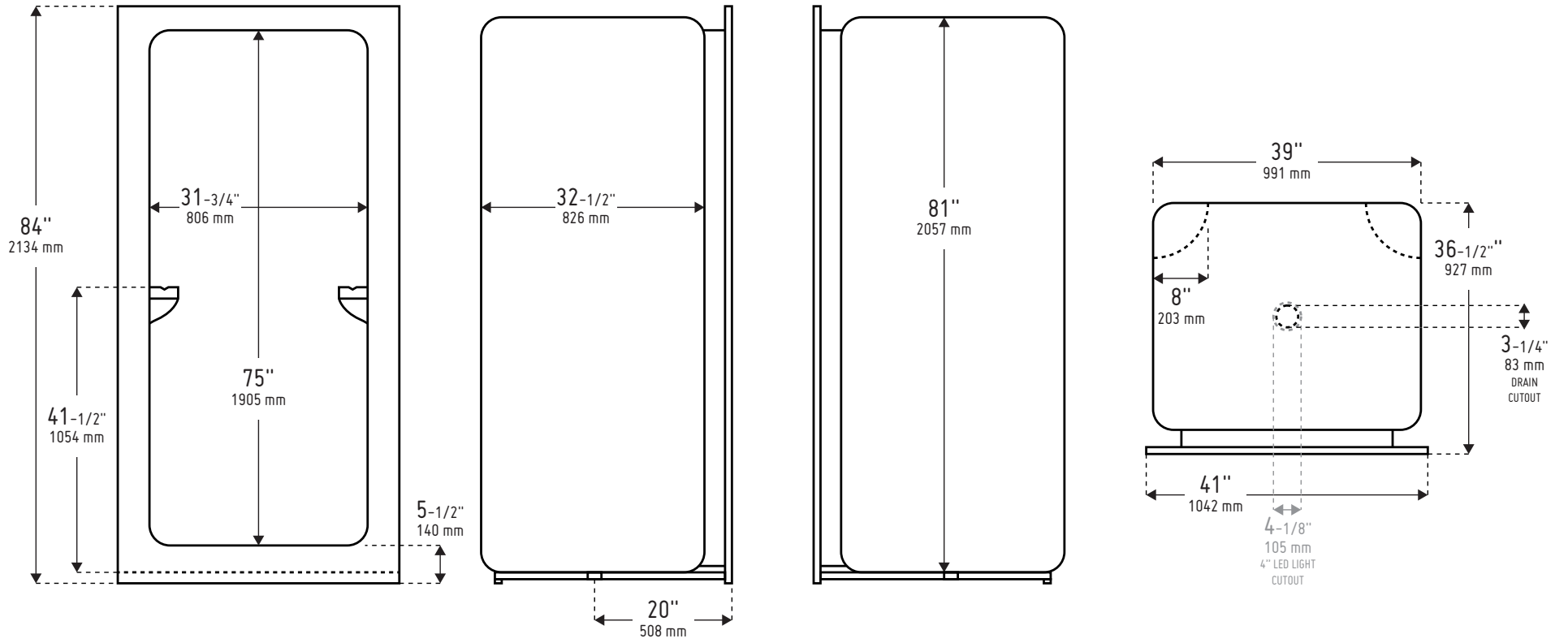
NO Siège the shower comes with the self draining soap dishes/shelves in both corners of the shower (unless requested to be removed).
 PHENOLIC SEAT the shower comes with the self draining soap dishes/shelves in both corners of the shower (unless requested to be removed).

Dimensions	h 84" x l 41" x p 36-1/2" (1 pc.)	
Hauteur du seuil	5-1/2"	
Poids	150 lb / 68 kg (Le poids peut varier selon les options/configurations de l'unité)	155 lb / 70 kg (Le poids peut varier selon les options/configurations de l'unité)
Position du drain	Drain de centre	
Surface	Surface d'acrylique haute qualité, non poreuse facile à nettoyer, sans germes ni résidus	
Barres	Non applicable	Barres d'appui (2) en acier inoxydable peintes en poudre blanche avec finition lisse, installées en usine pour la sécurité et la facilité d'entrée et de sortie de la douche
Égouttoir	Drain ABS de qualité de 2"/51 mm avec crépine en acier inoxydable	
Base	Base de douche renforcée pour solidifier l'unité	
Autres	Rebord avant avec gouttière, porte-savons/étagères auto-drainants, fond texturé	Rebord avant avec gouttière, porte-savons/étagères auto-drainants, fond texturé
Certification conformité	Certifications de conformité atteignent ou dépassent les spécifications suivantes : - CAN/ULC - S102.2 - M88 Flame Spread FRP laminate rating - B45.5-11/IAPMO Z124-2011	

L'image du produit et le dessin technique peuvent être affichés avec l'équipement en option. Peut être personnalisé avec une large gamme d'accessoires et d'options. Ce catalogue de vente au détail est pour des fins d'informations générales et peut contenir des équipements et/ou des configurations optionnels. S'il vous plaît consulter votre fournisseur, associé aux ventes ou Longevity Acrylics Inc. pour obtenir les dimensions, les spécifications, les directives, les options et les prix courants qui sont disponibles à travers la liste de prix actuelle de Longevity Acrylics Inc. Les dimensions des appareils sont nominales et peuvent varier de +/- 1/2" (12 mm). Les équipements en option, les spécifications et les mesures sont susceptibles de changer à la discrétion du fabricant.

OPTIONS (Modèle#- "X" démontre que ce modèle comporte des options ajoutées + ajouter le code du modèle d'option)

Modèle	Description	9241	AL9241
COULEURS			
Standard	Blanc	X	X
LUMIÈRES			
DL-4LED-WH	Lumière à dôme rond DEL de 4" installée en usine, blanc	X	X
DL-4LED-BK	Lumière à dôme rond DEL de 4" installée en usine, noir	X	X
DL-4LED-CH	Lumière à dôme rond DEL de 4" installée en usine, chrome	X	X
TRINGLES À RIDEAUX			
SCR	Tringle à rideau de douche en acier inoxydable	X	X
SIÈGES			
63-PAI451801	Siège RECTANGULAIRE pliable junior de 18" x 14-1/2" (coussiné blanc)	X	X
63-PHI451801	Siège RECTANGULAIRE pliable junior de 18" x 14-1/2" (phénolique blanc)	X	X
63-PHI4518515	Siège RECTANGULAIRE pliable junior de 18" x 14-1/2" (phénolique simili-bois)	X	X
BARRES D'APPUI			
24SWGB	Barre d'appui de 24" en acier inoxydable enduite de poudre blanche, installée en usine	X	X
30SWGB	Barre d'appui de 30" en acier inoxydable enduite de poudre blanche, installée en usine	X	X
DB-18-PCW	Dependa-Bar™ 18"/46cm, blanc, installée en usine (remplace la barre d'appui blanche en acier inoxydable standard en forme de "S")		X
DRAINS DE DOUCHE			
SERENITY DRAIN-BK	Drain de douche rond Serenity en laiton style Infinity, noir	X	X
SERENITY DRAIN-CH	Drain de douche rond Serenity en laiton style Infinity, chrome	X	X
SYMPHONY DRAIN-BK	Drain de douche rond Symphony en laiton style grille avec trappe à cheveux amovible, noir	X	X
SYMPHONY DRAIN-CH	Drain de douche rond Symphony en laiton style grille avec trappe à cheveux amovible, chrome	X	X
PVC-FR DRAIN	Drain de douche PVC de 2" résistant au feu	X	X
PORTES			
SS-3IP-MON-C/C	Porte pivotante - Chrome/Transparent - Panneaux de verre avec cadre	X	X
SS-3IP-MON-C/O	Porte pivotante - Chrome/Obscure - Panneaux de verre avec cadre	X	X



Compliance Certifications meet or exceed the following specifications:

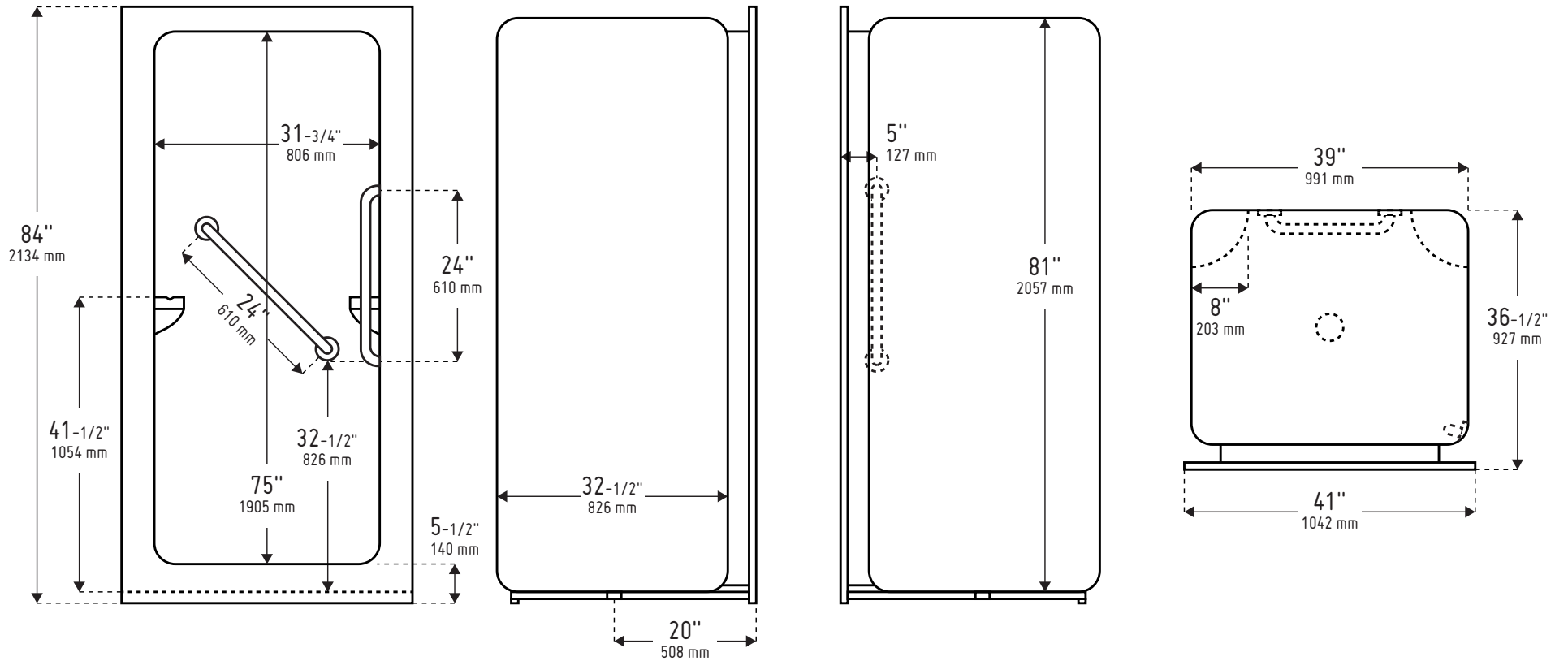
- CAN/ULC - S102.2 - M88 Flame Spread FRP laminate rating
- B45.5-11/IAPMO Z124-2011

LONGEVITY		
Department ACRYLIC	Reference / Job Location	
Name HARVEST 9241		
Drawing by IAN MCLEAN	Scale NTS	DWG No.
Date	Revision	

APPROVAL
Engineering Firm
Engineer Signature Approval
Customer Signature of Approval
Date

DRAWING SUBJECT TO ENGINEERS APPROVAL

Every effort has been made to offer the most current, correct, and clearly expressed information possible. Nevertheless, inadvertent errors in information may occur. Longevity Acrylics Inc. disclaims any responsibility for errors and accuracy of the information that may be contained in its documents or web pages. Longevity Acrylics Inc. makes no warranties or representations whatsoever regarding the quality, content, completeness, suitability, adequacy, sequence, accuracy or timeliness of such information and data.



Compliance Certifications meet or exceed the following specifications:

- CAN/ULC - S102.2 - M88 Flame Spread FRP laminate rating
- B45.5-11/IAPMO Z124-2011

LONGEVITY		
Department ACRYLIC	Reference / Job Location	
Name AL9241		
Drawing by IAN MCLEAN	Scale NTS	DWG No.
Date	Revision	

APPROVAL
Engineering Firm
Engineer Signature Approval
Customer Signature of Approval
Date

DRAWING SUBJECT TO ENGINEERS APPROVAL

Every effort has been made to offer the most current, correct, and clearly expressed information possible. Nevertheless, inadvertent errors in information may occur. Longevity Acrylics Inc. disclaims any responsibility for errors and accuracy of the information that may be contained in its documents or web pages. Longevity Acrylics Inc. makes no warranties or representations whatsoever regarding the quality, content, completeness, suitability, adequacy, sequence, accuracy or timeliness of such information and data.