

DESCRIPTION

- Metal construction with a decorative glacier finish
- 1/2" IPS connections

OPERATION

- Dual control, Lever style handles with interchangeable insert
- The valve operates by rotating the "hot" handle counterclockwise to open (clockwise to close) and the "cold" handle rotates clockwise to open (counterclockwise to close)

CARTRIDGE

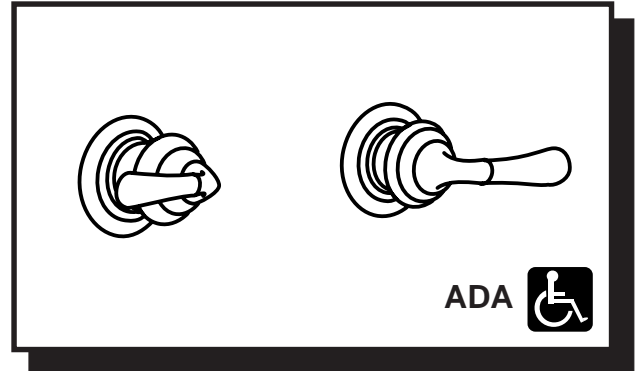
- 1224 cartridge design
- Nonmetallic and stainless steel materials
- Accommodates either up or down feed installations

STANDARDS

- Third party certified by CSA to meet CSA B-125, ASME A112.18.1M and all applicable requirements referenced therein and complies with the applicable requirements of ANSI A117.1

WARRANTY

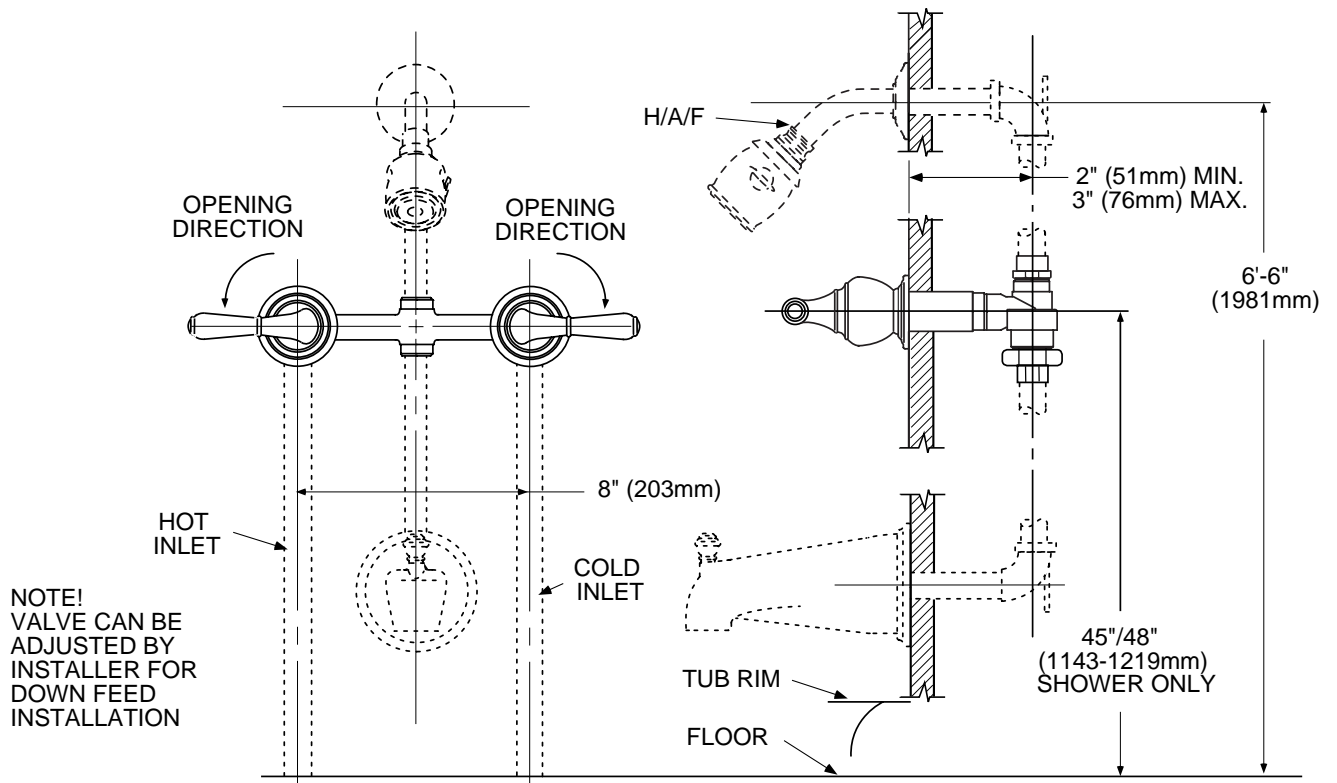
- Lifetime limited warranty against leaks, drips and finish defects to the original consumer purchaser
- 5 year warranty if used in commercial installations



MONTICELLO® Two-Handle Tub/Shower Valve Only

Model: 2590W

NOTE: See reverse side for illustrated parts and optional handle inserts



NOTE!
VALVE CAN BE
ADJUSTED BY
INSTALLER FOR
DOWN FEED
INSTALLATION

CRITICAL DIMENSIONS

(DO NOT SCALE)



ADA symbol applies to shower valve control only.