

DESCRIPTION

- Handheld shower
- High impact chrome plated plastic
- Quick cleaning rubber nozzles

OPERATION

- Single-function spray pattern

FLOW

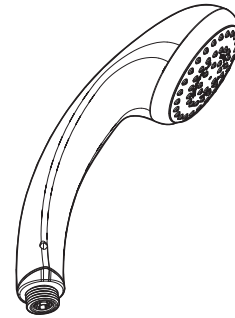
- Designed to deliver 2.5 gpm (9.5 L/min) MAX

STANDARDS

- Third party certified to ASME A112.18.1/CSA B125.1, ICC A117.1 and all applicable requirements referenced therein

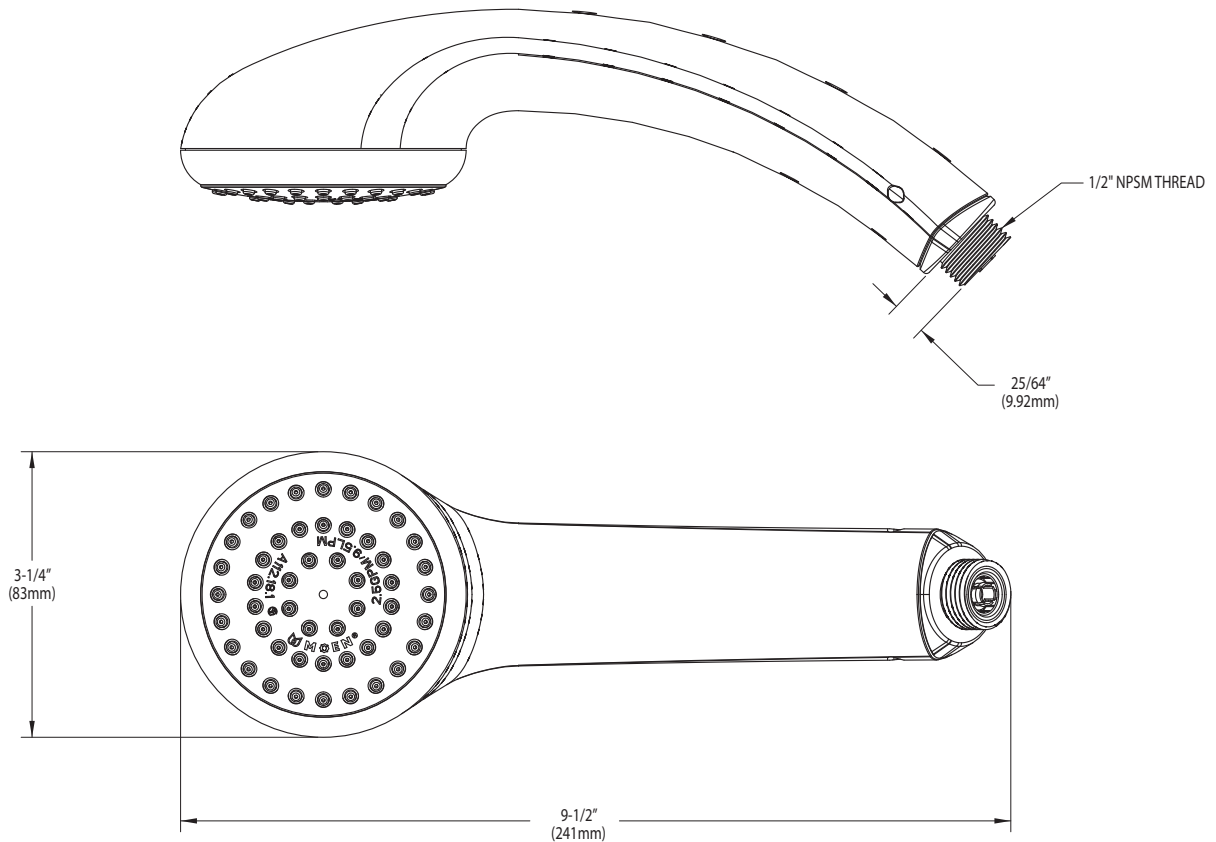
WARRANTY

- Warranted for 5 years against material or manufacturing defects



Single Function Handheld Shower

Model: 8349



CRITICAL DIMENSIONS

(DO NOT SCALE)