

## FAUCET DESCRIPTION

- Metal construction with chrome plated finish
- 1/2" IPS connections
- Supplied with vandal resistant screws

## OPERATION

- Lever style handles with hot and cold color indicators
- Rotate the hot side handle in a counterclockwise manner to open (clockwise to close) and rotate the cold side handle clockwise to open (counterclockwise) to close


## FLOW

- 2.2 MAX. gpm (8.3 L/min) aerator

## CARTRIDGE

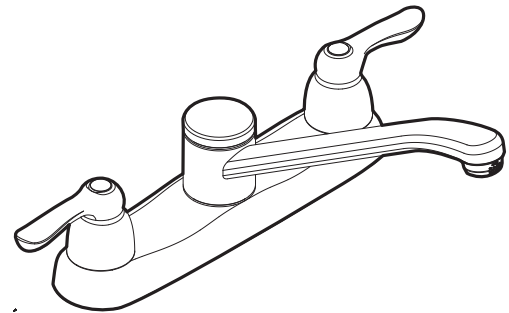
- 1224 cartridge design
- Nonmetallic and stainless steel material

## STANDARDS

- Third party certified to meet ASME A112.18.1/CSA B-125.1 and all applicable specifications referenced therein
- Certified to NSF 61/9
- Complies with California Proposition 65 and with the Federal Safe Drinking Water Act
- **ADA**  for lever handles

## WARRANTY

- Warranted for five years against material or manufacturing defects

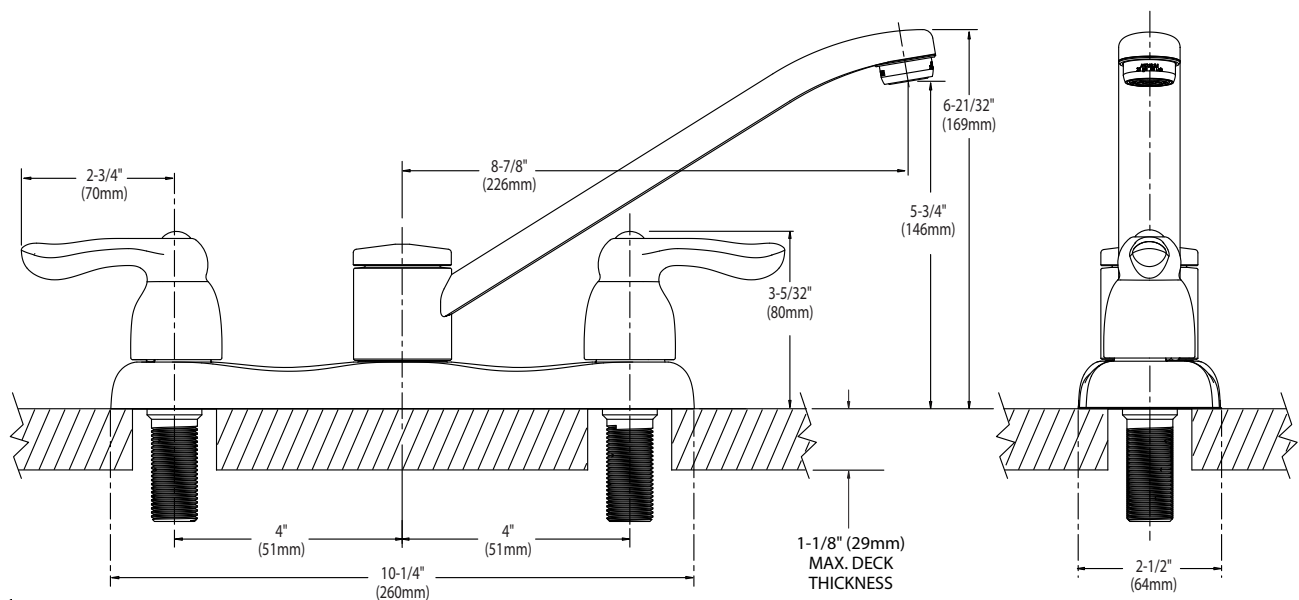


## Two-Handle Kitchen Faucet

**Model:** 8780



**NOTE:** Designed to be installed through 3 holes - 1" min. Dia. and on 4" centers



## CRITICAL DIMENSIONS

(DO NOT SCALE)