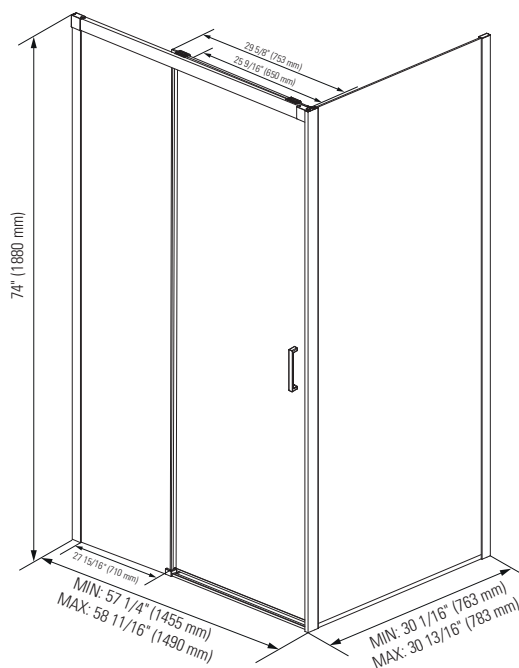


# SELLA 3260 SHOWER DOOR



## PRODUCT DESCRIPTION:

Contemporary style  
Fixed panel, sliding door panel  
and return panel  
6 mm glass (1/4")  
Door opening min 25 9/16" max 26 1/4"  
Right or left opening  
Offered in chrome/clear

24-48hrs

## BOXES SIZE:

77" x 33 11/16" x 3 3/4"

## NET WEIGHT:

143 lbs

## GROSS WEIGHT

157 lbs

\* Produits Neptune applies a cutting-edge protective covering, which repels water and dirt for easy cleaning and increases the lifespan of your shower doors.



**Certification ECORESPONSIBLE**  
First manufacturer of bathroom products in North America to be certified ecoresponsible.



**Produits Neptune**

ENTREPRENEUR

6835, Picard street, Saint-Hyacinthe (Quebec) J2S 1H3  
Phone: (450) 773-7058 - Fax: (450) 773-5063  
produitsneptune.com

REV: 06-18