



# 302 Series

## Brass Integral Bath Tub Drain Assembly- Low Profile model

Project Name: \_\_\_\_\_

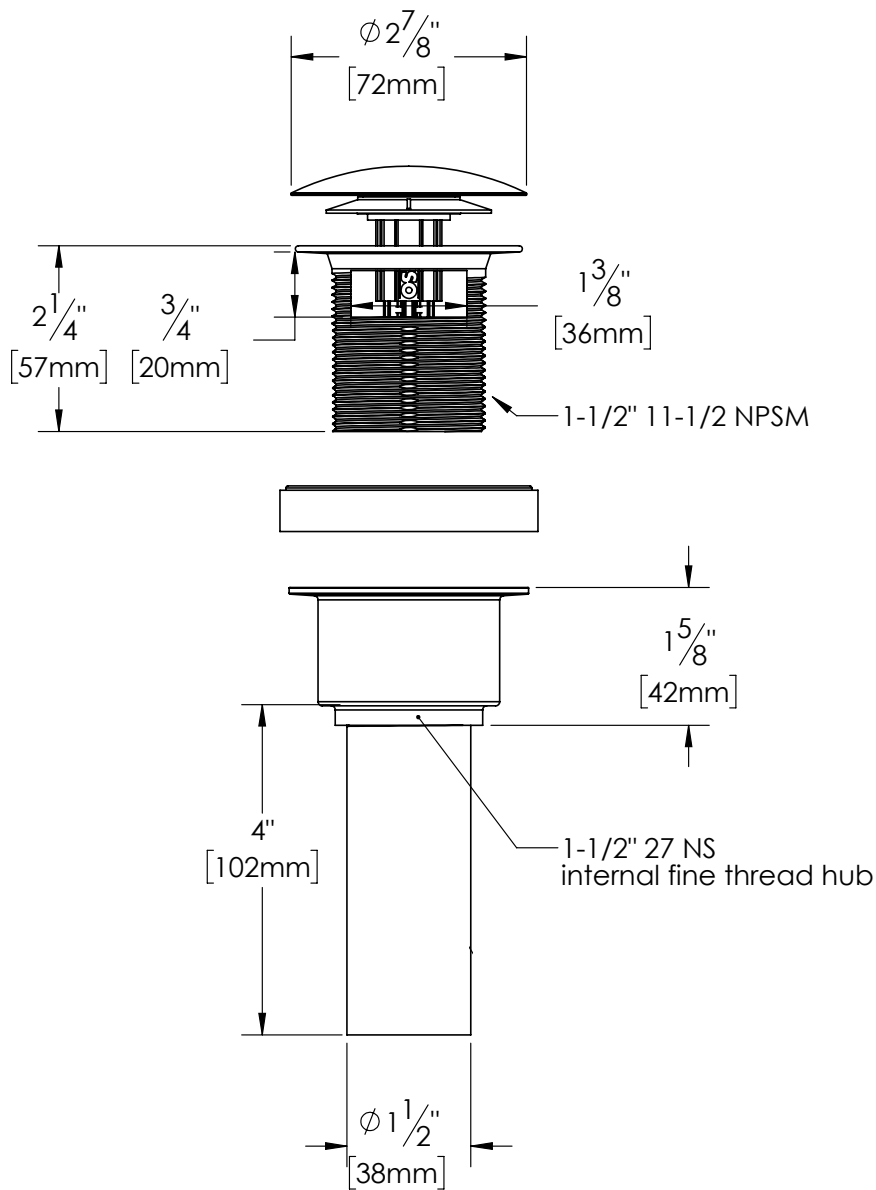
Project Number: \_\_\_\_\_

Fixture #

### Specification

**Brass Intergral Bath Tub Drain Assembly shall feature a Brass coarse thread strainer with 5/16-18 UNC thread-in crossbar and integral overflow holes with vertical weeping channels. Brass fitting accepts a 1-1/2" T.O.E. Tube (included).**

Certification



**Oakville Stamping and Bending Ltd.**

2200 Speers Road, Unit C. Oakville, ON. Canada. L6L 2X8.

T. 905.827.0320 or toll free 1.877.314.6040 F. 905.827.6375 or toll free 1.877.827.6040.

All rights reserved. OS&B™ reserves the right to change product specifications and material or discontinue models without notice.

**www.osb.ca (Canada) www.osbplumbing.com (USA)**