

Specification Submittal Data / Panasonic Air Purification Device

Description

Air purification device shall be low noise ceiling mount type, rated for continuous run. Certified by Intertek for UL/CSA safety standards.

nanoe™ X Technology:

- Device utilizes patented nanoe™ X charged water particle generation technology to purify contaminated air.
- Inhibits growth of allergens, breaks down hazardous substances.*

Motor/Blower:

- Air Volume shall be > 9 CFM.
- Two pole condensor AC motor.
- Power rating shall be 120 volts and 60 Hz.
- Motor equipped with thermal-cutoff fuse.

Housing:

- Polypropylene resin housing

Installation:

- Ideal for use in light commercial applications, educational facilities, long term care facilities, hotels, elevators, restaurants and other public spaces.**
- Great for use in residential settings including living rooms, bedrooms, basements, closets and mudrooms.
- Perfect way to spot purify your space during off hours when your HVAC system is not operating; or for use in tight spaces, like conference rooms.
- Mounts into virtually any ceiling and can be used with new or existing wiring.***
- Panasonic recommends installation be tied into a constant run circuit to ensure optimal performance.
- Built-in clips hold unit firmly onto sheetrock or

ceiling tiles; no additional brackets needed.

Maintenance:

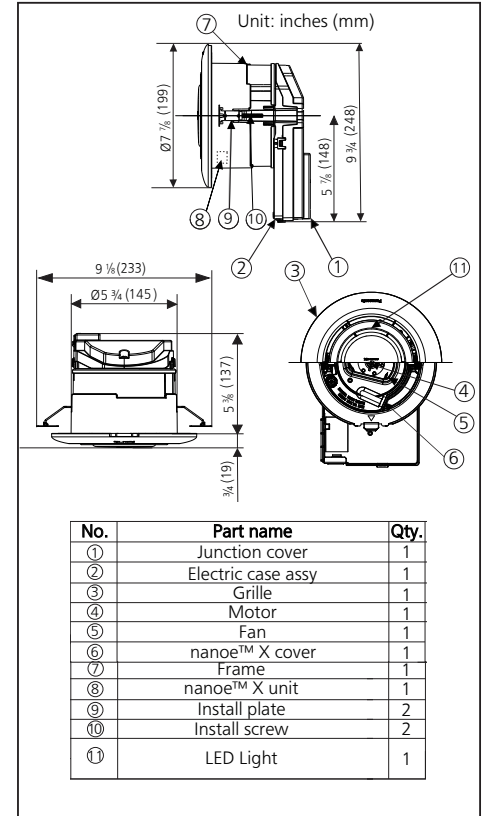
- Maintenance-Free device; no filters to change.

Warranty:

- All Parts: 3 Years from original purchase date.

Architectural Specifications:

Air purification device shall be ceiling mount, certified by Intertek for UL/CSA safety standards with no less than 9 CFM and < 0.3 sones. Purification device shall utilize Panasonic's patented nanoe™-X charged water particle generation technology to purify contaminated air. Power consumption shall be no greater than 4.0 Watts. The AC motor shall be two pole condenser type. Power rating shall be 120v/60Hz. Purification device shall comply with California Air Resources Board (CARB) for electrical safety and ozone requirements specified in Title 17, California Code of Regulations, subchapter 8.7 "Indoor Air Cleaning Devices."



FV-01VCN1

Specifications	WhisperAir Repair™
	FV-01VCN1
Air Volume (CFM)	9
Noise (sones)	<0.3 ¹
Power Consumption (watts)	4.0
Speed (RPM)	1510
Current (amps)	0.04
Power Rating (V/Hz)	120/60
Net Weight [Kg (Lb)]	1.4 [3.1]

¹ Radiated Sound Testing conducted in an anechoic chamber, 3-microphone array with placement 3ft/1m above, below and to the side of the product.

Panasonic factory is registered as an EPA establishment that produces a pesticide device; factory EST ID: 93165-MEX-1.

* Whisper Air Repair's impact on odours, allergens, pollens and hazardous substances was based on testing in a 812ft³/23m³ room.

** Not FDA certified for use in medical facilities.

***Refer to local jurisdictions and manufacturer installation guide.

Specification Submittal Data / Panasonic Air Purification Device

(Continued)

The nanoe™ X advantage to healthier indoor living

Panasonic nanoe™ X is the next generation of our exclusive nanoe™ air purification technology for healthier indoor air quality and healthy living in every space. nanoe™ X is generated from moisture in the air that contains highly reactive components known as hydroxyl (OH) radicals, which have been proven effective at suppressing airborne pollutants and odours.

Nanoe™-X are Hydroxyl Radicals (OH) inculcated in water, giving them a longer life span (up to 10 min¹). Their size is 5-20nm² which allows them to penetrate fabrics thoroughly and reach every corner of the room in order to inhibit pollutants and allergens.

What is nanoe™ X?

nanoe™ X is nano-sized electrostatic atomized water particles that are rich in OH radicals.

nanoe™ X reaches odour in fabric

OH radicals break down odour-causing substances

Deodorizes smells in fabric

nanoe™ X reaches pollutants in fabrics

OH radicals take hydrogen away from pollutants

OH radicals transform hydrogen to inhibit the activity of pollutants

4.8 trillion OH radicals / sec

Water Particle

OH radicals (Highly reactive components) (Water ion)

Approx. 5 - 20nm

How nanoe™ X works?

Deodorizes Odours

Inhibits Airborne and Adhered Pollutants

Helps maintain skin moisture

Stops moisture evaporation

Corneum is maintained and smooth

Using existing moisture already in the air, nanoe™ X hydrates the sebum (produced by sebaceous glands to lubricate the skin) on the skin to help prevent loss of moisture.

*Test Laboratory: FCG Research Institute Inc. Report no. 19104

¹ <https://www.panasonic.com/global/consumer/clean/hydroxyl/history.html>

² 1nm (nanometer = 0.000000001m (one billionth of a meter))

The **5 healthy effects** of nanoe™ X purification technology

DEODORIZES	INHIBITS 3 TYPES OF POLLUTANTS*		MOISTURIZES
Odours	Allergens	Pollen	Skin & hair
		Hazardous substances	

For complete Installation Instructions visit www.business.panasonic.ca/ventilation

Model	Quantity	Comments	Project:
			Location:
			Architect:
			Engineer:
			Contractor:
			Submitted by:
			Date: