

Specification Submittal Data / Panasonic Ventilation Fan

Description

Ventilating fan shall be low noise remote mount type rated for continuous run. Fan shall be certified by the Home Ventilating Institute (HVI) and evaluated by Underwriters Laboratories and conform to both UL and cUL safety standards.

Motor/Blower:

- Four-pole totally enclosed condenser motor rated for continuous run.
- Power rating shall be 120 volts and 60 Hz.
- Fan shall be UL listed for tub/shower enclosure when GFCI protected.
- Motor equipped with thermal-cut-off fuse.

Housing:

- Galvanized steel body for long-life.
- Insulated housing to prevent condensation and noise.
- Tapered duct adapter for easy connection.

Easy Installation:

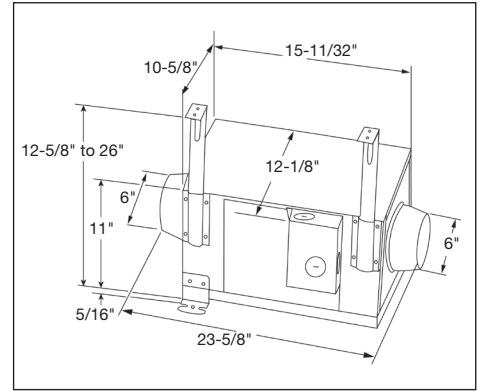
- 5 positions installation.
- Joist, truss and suspension brackets included.

Warranty:

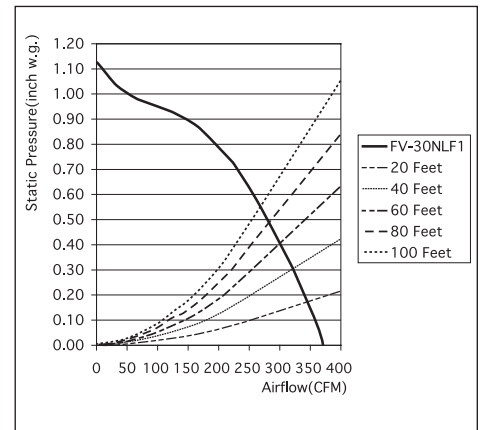
- 3-Year limited warranty.

Architectural Specifications:

Ventilating fan shall be remote mount, with no less than 340 CFM as certified by the HVI at .2 static pressure in inches water gauge. Power consumption shall be no greater than 98.2 Watts, and energy efficiency rating shall be no less than 3.5 CFM/Watt. The motor shall be totally enclosed, four pole condenser type engineered to run continuously. Power rating shall be 120v/60Hz. Housing shall be insulated to reduce condensation. Duct diameter shall be no less than 6". Fan shall be UL and cUL listed for tub/shower enclosure when GFCI protected. Brackets shall be provided for joist, truss or suspension installations. ASHRAE 62.2, LEED, CA Title 24, EarthCraft and WA Ventilation Code complaint.



FV-30NLF1



Specifications: WhisperLine FV-30NLF1					
Static Pressure in inches w.g.	Air Volume (CFM)	Power Consumption (Watts)	Energy Efficiency (CFM / Watts)	Speed (RPM)	Current (amps)
0.2	340	98.2	3.5	1337	0.86
0.3	322	96.4	-	-	-
0.4	302	94.9	-	-	-

For complete Installation Instructions visit us.panasonic.com/ventfans

Model	Quantity	Comments	Project:
			Location:
			Architect:
			Engineer:
			Contractor:
			Submitted by:
			Date:

Panasonic Life Solutions Company of America
IAQ Division
Two Riverfront Plaza
Newark, NJ 07102

us.panasonic.com/ventfans

