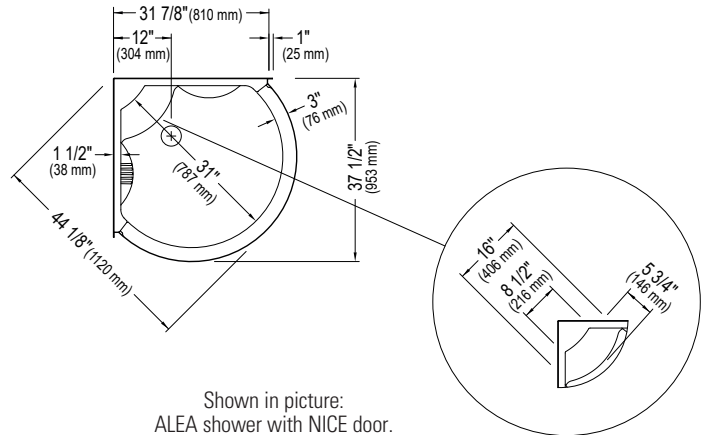
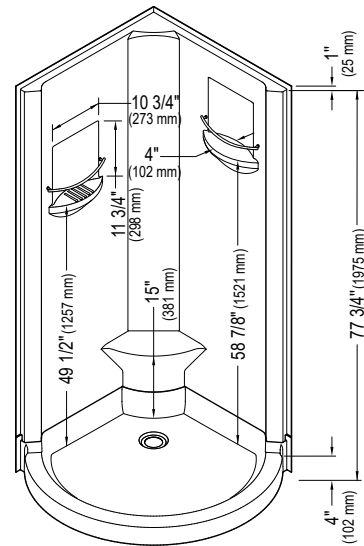


# ALEA ROUND SHOWER

31 7/8" x 31 7/8" x 77 3/4"



Shown in picture:  
ALEA shower with NICE door.



## PRODUCT DESCRIPTION:

White acrylic  
Contemporary style  
Bars for bottle shelves in chrome included  
In one piece (AL32) or two pieces (AL32-2P)

5 days

## BOX SIZE:

38" x 38" x 78.5"

## NET WEIGHT:

81 lbs

## GROSS WEIGHT:

88 lbs

## DOORS

### NICE (LATERAL SLIDING)

Chrome/Clear

### PRAGUE (CENTRAL SLIDING)

Chrome/Clear

\*Customized products, non cancellable, non returnable.



Certification **ECORESPONSIBLE**  
First manufacturer of bathroom products in North America to be certified ecoresponsible.



**Produits Neptune**

6835, Picard street, Saint-Hyacinthe (Quebec) J2S 1H3  
Phone: (450) 773-7058 - Fax: (450) 773-5063  
produitsneptune.com