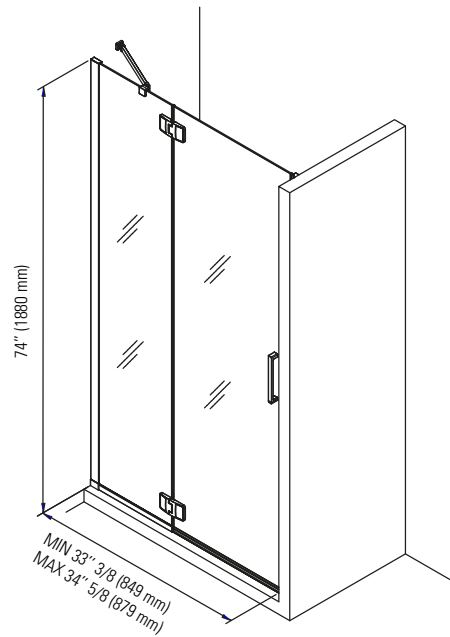


# AZELIA 36 SHOWER DOOR



## PRODUCT DESCRIPTION:

Contemporary style  
 Front glass panels only  
 6 mm glass (1/4")  
 Door opening 24 3/16"  
 Right or left opening  
 Offered in chrome/clear

**24 hrs**

## BOX SIZE:

77" x 27" x 3"

## NET WEIGHT:

66 lbs

## GROSS WEIGHT

66 lbs

\* Produits Neptune applies a cutting-edge protective covering, which repels water and dirt for easy cleaning and increases the lifespan of your shower doors.



Certification ECORESPONSIBLE  
 First manufacturer of bathroom products in North America to be certified ecoresponsible.



**Produits Neptune**

6835, Picard street, Saint-Hyacinthe (Quebec) J2S 1H3  
 Phone: (450) 773-7058 - Fax: (450) 773-5063  
[produitsneptune.com](http://produitsneptune.com)