



3-way Type T/P coaxial complete valve  
**RUTM45+**



## Specifications

### Composition

- TRUTM45+C - 3-way Type T/P coaxial valve trim
- R45 - 3-way Type T/P coaxial valve rough

### Available colors

- C : Chrome
- PN : Polished Nickel (PVD)

### Available flows

- 24 L/min, 6.3 gpm (US) 60psi
- Type TP - For use with shower heads rated at 7L/min (1.8 gpm) or higher

### Certifications

- CSA B125.1
- ASME A112.18.1
- ASSE 1016
- CMR248 Approval

cUPC®

## Warranty

This **Riobel Inc.** product you have purchased carries a Limited Lifetime Warranty on the chrome, PVD finish, blacks and all working parts and is guaranteed from the initial purchase date against all manufacturing defects. All other finishes, including plastic components, are guaranteed for one year. All electric and/or electronic parts are covered by a 5-year limited warranty.

## Customer Service

Ontario, West Canada : 888-287-5354 Quebec, Maritimes, United States : 866-473-8442

2020.06.12



3-way Type T/P coaxial valve trim  
**TRUTM45+**



## Specifications

### Descriptions

- R45, R45-SPEX or R45-EX rough required to complete
- Thermostatic/pressure balance coaxial cartridge with check valves
- Trim only
- 6 positions (OFF, 1, 1 and 2, 2, 2 and 3, 3) share

### Available colors

- C : Chrome
- PN : Polished Nickel (PVD)

### Certifications

- CSA B125.1
- ASME A112.18.1
- ASSE 1016
- CMR248 Approval

cUPC®

### Warranty

This **Riobel Inc.** product you have purchased carries a Limited Lifetime Warranty on the chrome, PVD finish, blacks and all working parts and is guaranteed from the initial purchase date against all manufacturing defects. All other finishes, including plastic components, are guaranteed for one year. All electric and/or electronic parts are covered by a 5-year limited warranty.

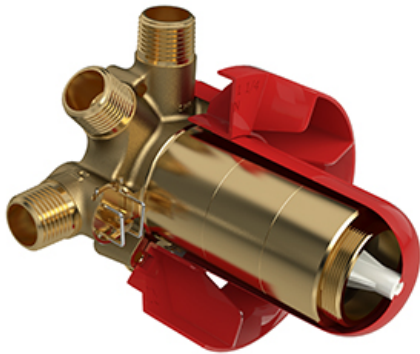
### Customer Service

Ontario, West Canada : 888-287-5354 Quebec, Maritimes, United States : 866-473-8442

2020.06.12



3-way Type T/P coaxial valve rough  
**R45**



# Specifications

## Descriptions

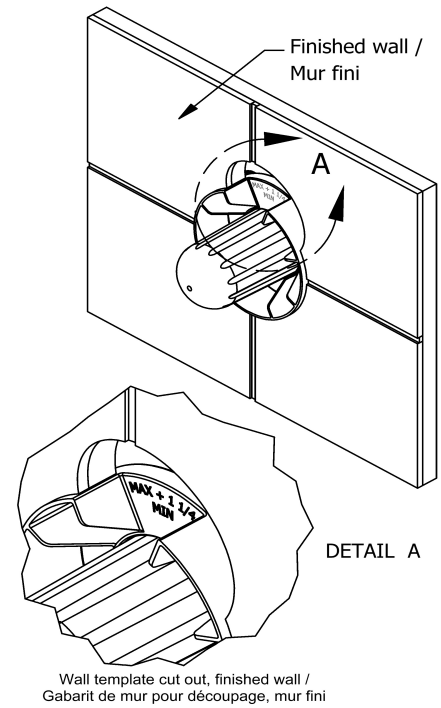
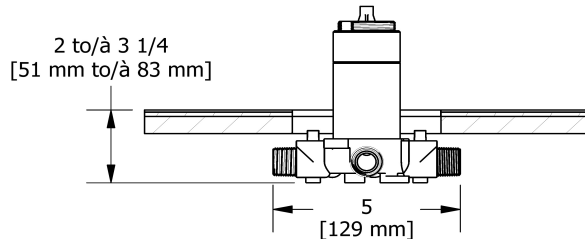
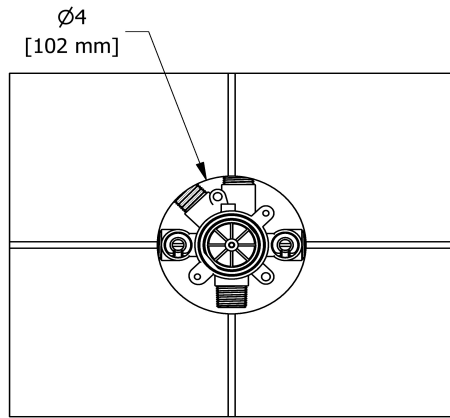
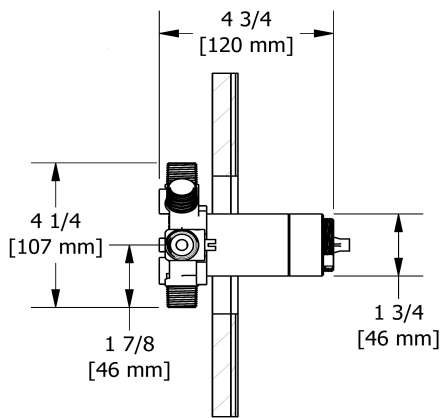
- TXX45XX or TXX47XX trim required to complete
- ½" inlet male NPT or sweat
- Service valves
- Rough only
- Three ½" outlets male NPT or sweat
- Test cap

## Available colors

- :

## Certifications

- CSA B125.1
- ASME A112.18.1
- ASSE 1016
- CMR248 Approval



Sizes, models and finishes may differ from those presented.

## Warranty

This **Riobel Inc.** product you have purchased carries a Limited Lifetime Warranty on the chrome, PVD finish, blacks and all working parts and is guaranteed from the initial purchase date against all manufacturing defects. All other finishes, including plastic components, are guaranteed for one year. All electric and/or electronic parts are covered by a 5-year limited warranty.

## Customer Service

Ontario, West Canada : 888-287-5354 Quebec, Maritimes, United States : 866-473-8442