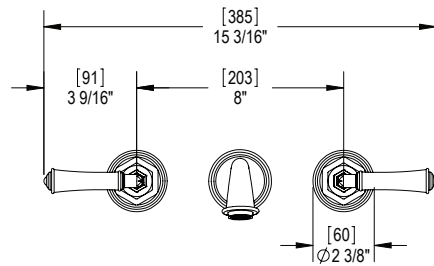
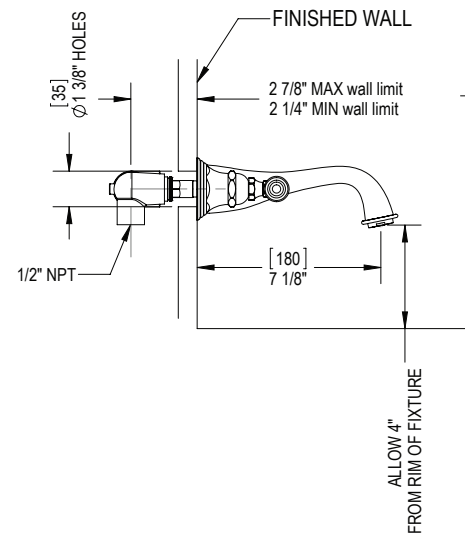
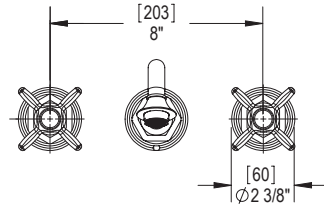
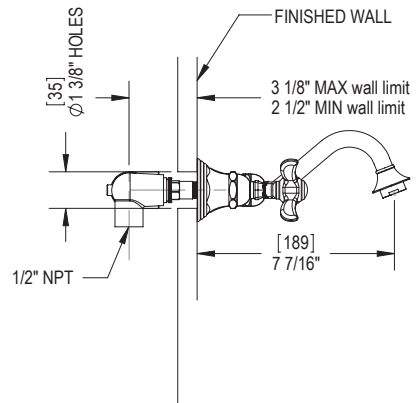


**FEATURES:**

- Brass construction with choice of 21 finishes
- Two Cross or Lever handles
- Quarter-turn ceramic disk cartridges
- 1.5 gpm @ 60 psi (Helps meet CalGreen regulation)

**APPROVAL:**

- AB1953 / NSF61
- ASME A 112.18.1
- CSA B125.1



161011

THE **Rubinet** FAUCET COMPANY

**ASSEMBLY INSTRUCTION**

**1GRVL or C / 1GRVJL or C**

WALL MOUNT LAVATORY SET



**1GRVL**



**1GRVJL**



**1GRVC**



**1GRVJC**

**CONTACT US:**

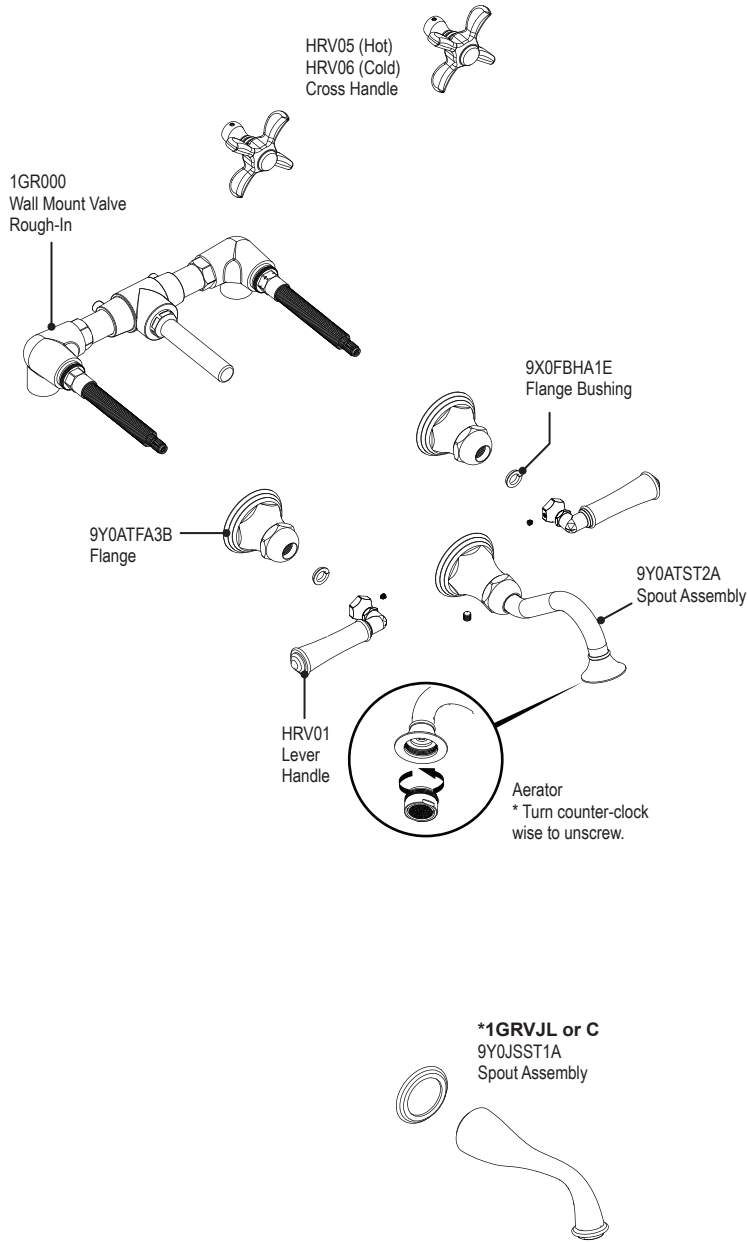
If you need assistance with installation, replacement parts or have any questions regarding your Rubinet product, please call a Customer Service representative at: 905-851-6781 toll free 1-800-461-5901 or visit [www.rubinet.com](http://www.rubinet.com)

**REMOVAL OF FAUCET:**

Always turn the water supply off before removing the existing faucet or disassembling a valve. Open both faucet handles to relieve water pressure and to ensure that the water has been successfully turned off.

**CARE OF FAUCET:**

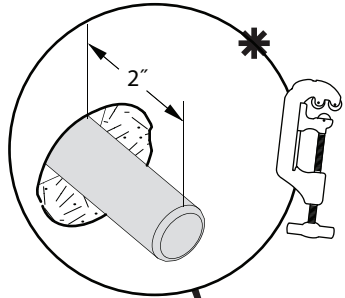
The use of warm water and a soft cloth is all that is required to clean Rubinet products. The patina of our living finishes (Oil Rubbed Bronze & Tuscan Brass) will change as a result of normal use. Applying Mineral Oil on occasion will create a softer look, subtle color changes and character.



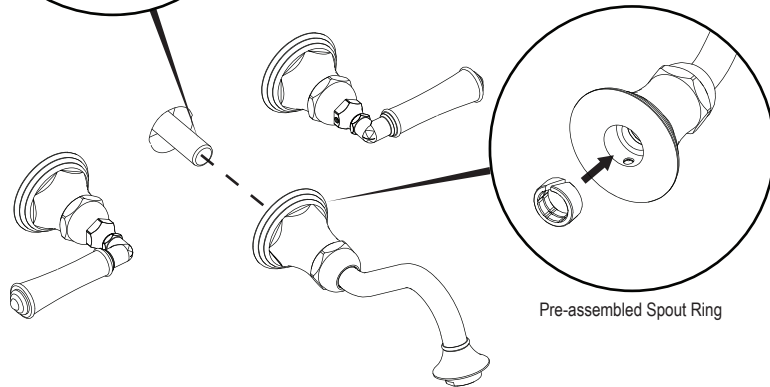
**HANDLE ALIGNMENT (1G)**

<p>1  <b>LOCK NUT</b> Loosen the lock nut using <b>* 17mm Deep Socket.</b> 1/2" Drive</p> <p>Remove <b>THREADED SLEEVE</b></p>	<p>2  Use Handles to unscrew cartridge. Turn both splines counter clock-wise.</p>
<p>3  Once cartridge valves are loose, screw them back into the faucet using the handle. Stop when you feel a noticeable resistance. Then remove handles.</p>	<p>4  Replace Left Handle (hot) <b>one tooth off</b> from the <b>OFF</b> position as shown.  And Right Handle (cold) <b>one tooth off</b> from the <b>ON</b> position as shown.</p>
<p>5  Turn the handles to the desired alignment. (This will unscrew the cartridge) This adjustment should not be more than 25°.</p>	<p>6  <b>LOCK NUT</b> Recommended torque 20Nm</p> <p>Tighten Lock Nut using <b>17mm Deep Socket.</b> wrench to secure cartridge valve position.  *Use handle to hold spline while tightening.</p>

4

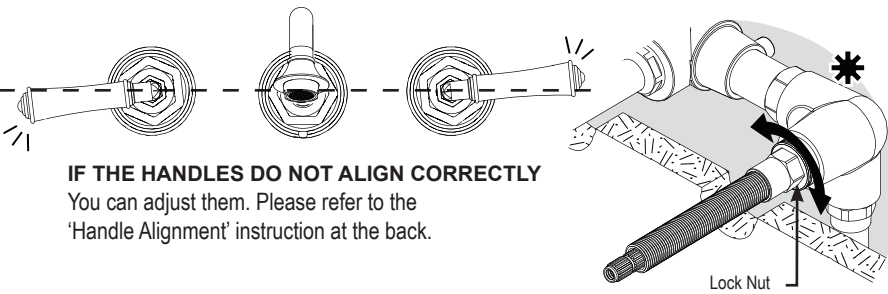
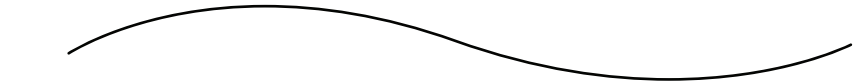
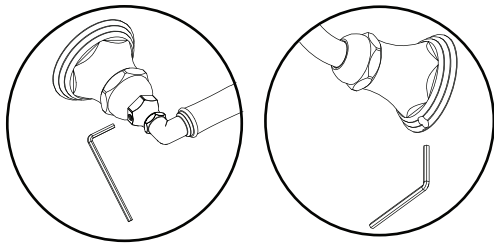


\* Cut the Slip-Fit Shank 2" long from the finished wall and **MUST REMOVE ANY BURRS** before installing the Wall Spout.



Pre-assembled Spout Ring

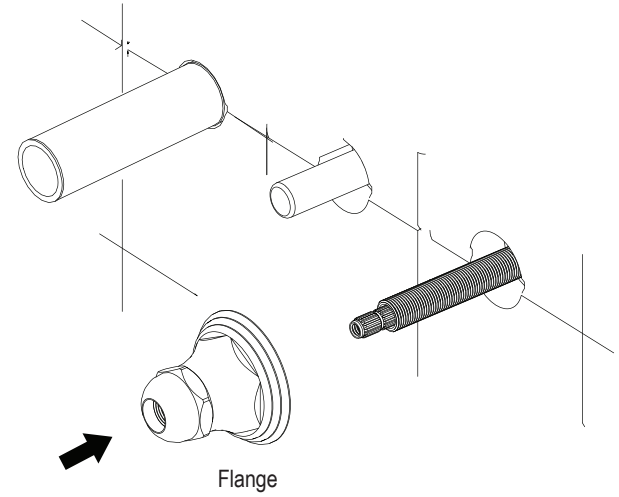
Tighten set screws to secure



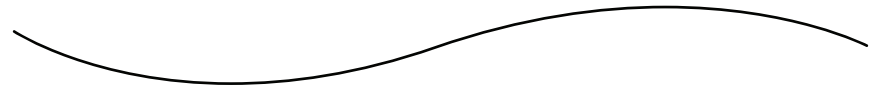
**IF THE HANDLES DO NOT ALIGN CORRECTLY**  
You can adjust them. Please refer to the 'Handle Alignment' instruction at the back.

Lock Nut

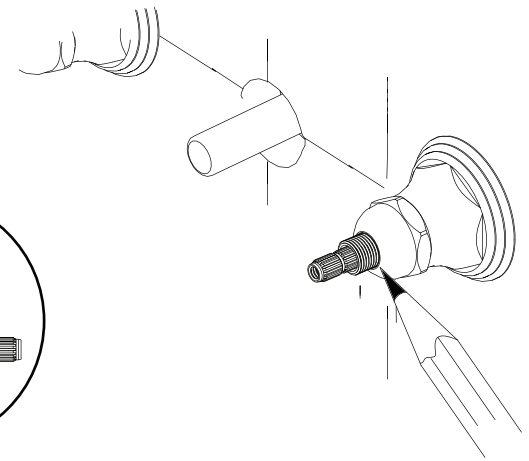
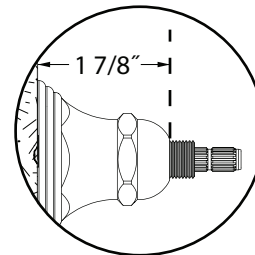
1



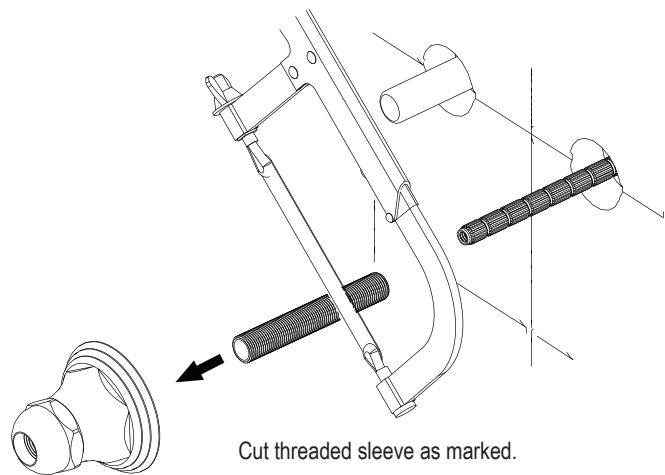
Flange



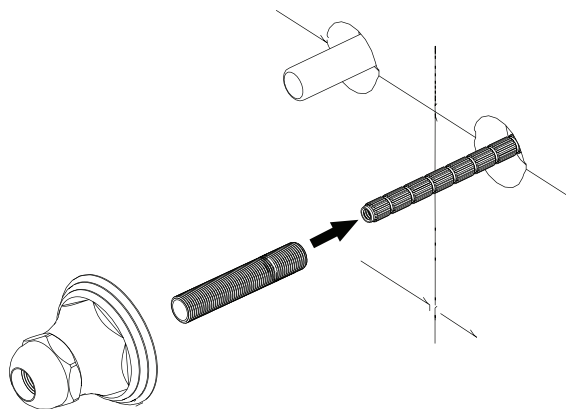
**MUST CUT FLUSH TO THE FLANGE TRIM**  
\* 1 7/8" (47.5mm)  
from the finished wall



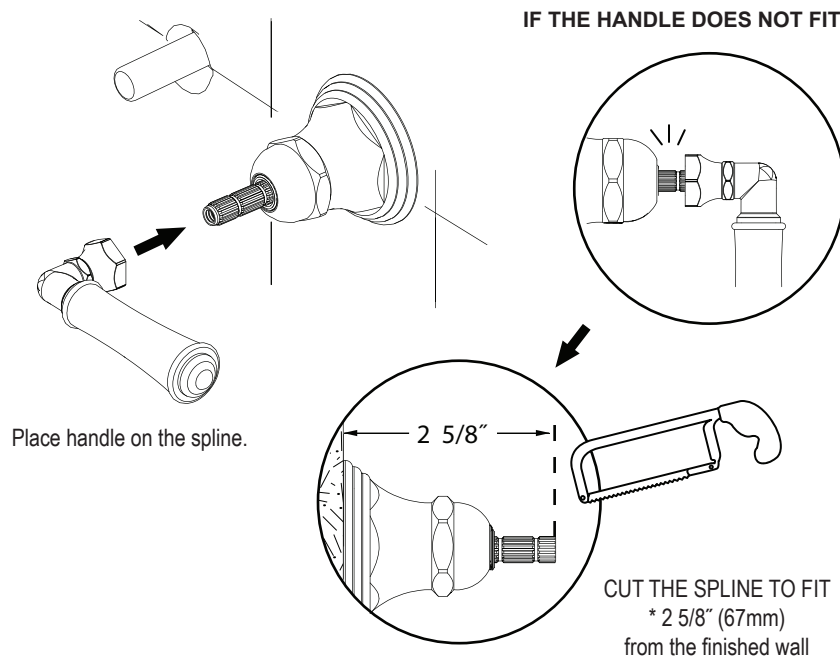
2



Cut threaded sleeve as marked.



3



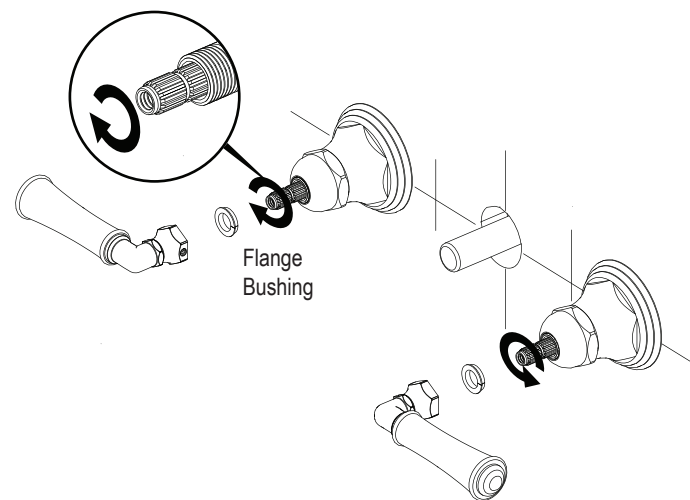
IF THE HANDLE DOES NOT FIT

Place handle on the spline.

2 5/8"

CUT THE SPLINE TO FIT  
\* 2 5/8" (67mm)  
from the finished wall

Turn each cartridge  
splines into **OFF** position  
before installing handles



Flange  
Bushing