

**FEATURES:**

- Brass construction with choice of 21 finishes
- Single Control Lever Handle
- One-Piece, ceramic disc cartridge for volume and temperature control
- Flexible Stainless Steel supply hoses for easy installation
- 1.5 gpm @ 60 psi (Helps meet CalGreen regulation)

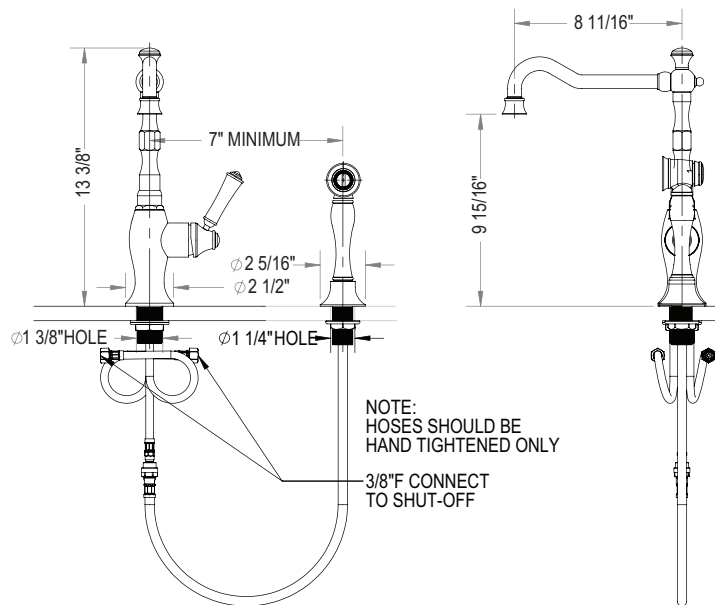
**APPROVAL:**

- AB1953 / NSF61
- ASME A 112.18.1
- CSA B125.1

150508

THE **Rubinet** FAUCET COMPANY**ASSEMBLY INSTRUCTION****8LRVL**

SINGLE CONTROL KITCHEN SET WITH HAND SPRAY

**8LRVL****CONTACT US:**

If you need assistance with installation, replacement parts or have any questions regarding your Rubinet product, please call a Customer Service representative at: 905-851-6781 toll free 1-800-461-5901 or visit [www.rubinet.com](http://www.rubinet.com)

**REMOVAL OF FAUCET:**

Always turn the water supply off before removing the existing faucet or disassembling a valve. Open both faucet handles to relieve water pressure and to ensure that the water has been successfully turned off.

**CARE OF FAUCET:**

The use of warm water and a soft cloth is all that is required to clean Rubinet products. The patina of our living finishes (Oil Rubbed Bronze & Tuscan Brass) will change as a result of normal use. Applying Mineral Oil on occasion will create a softer look, subtle color changes and character.

