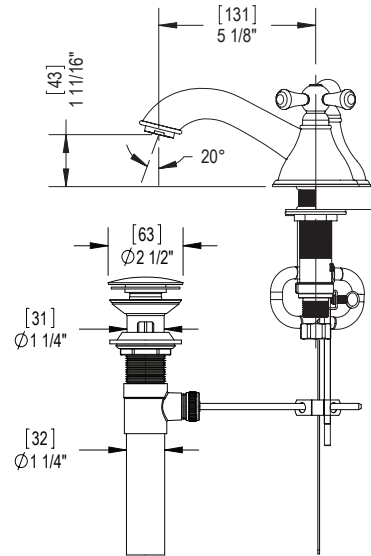
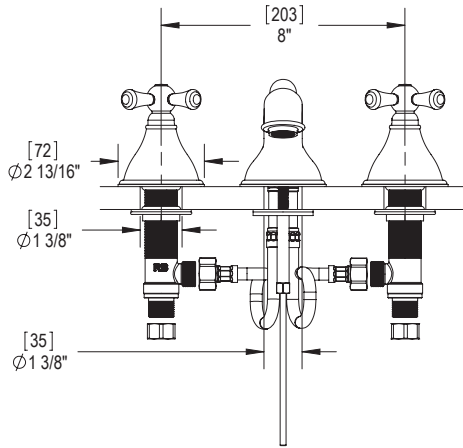
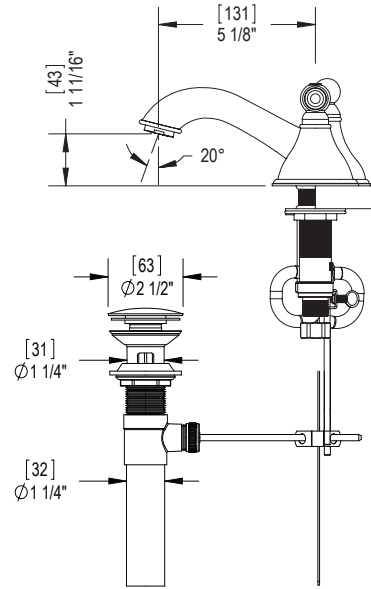
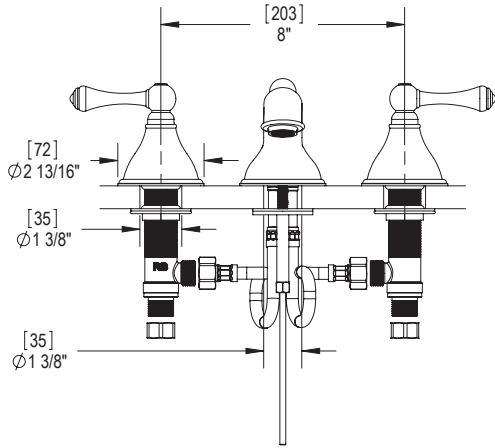


FEATURES:

- Brass construction with choice of 21 finishes
- Two lever or cross handles
- Quarter turn Ceramic Disk cartridges
- 1.5 gpm @ 60 psi (Helps meet CalGreen regulation)

APPROVAL:

- AB1953 / NSF61
- ASME A 112.18.1
- CSA B125.1

**CONTACT US:**

If you need assistance with installation, replacement parts or have any questions regarding your Rubinet product, please call a Customer Service representative at: 905-851-6781 toll free 1-800-461-5901 or visit www.rubinet.com

160921

THE **Rubinet** FAUCET COMPANY

ASSEMBLY INSTRUCTION**1AFML or C**

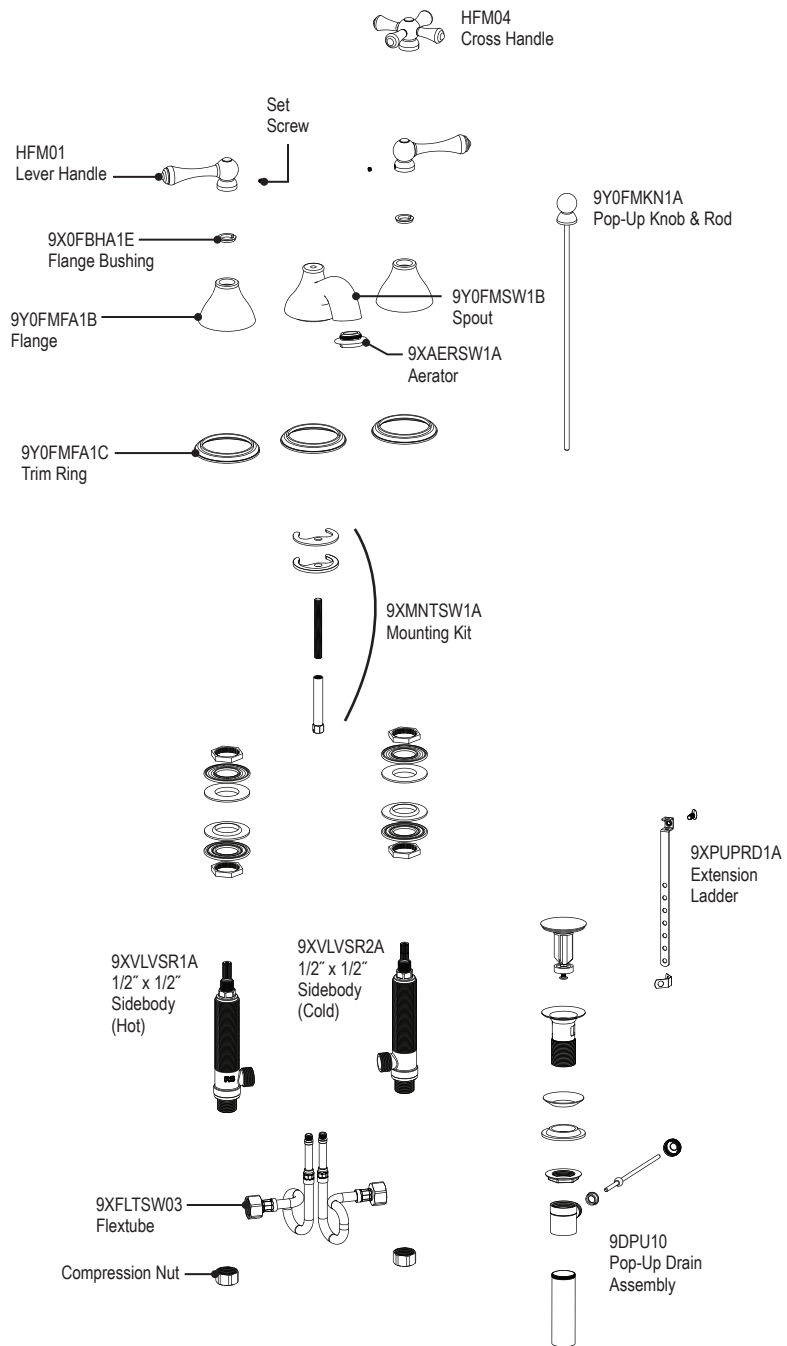
WIDESPREAD LAVATORY SET

**1AFML****1AFMC****REMOVAL OF FAUCET:**

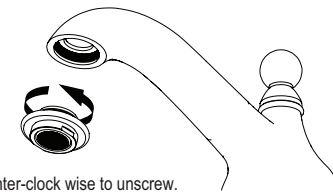
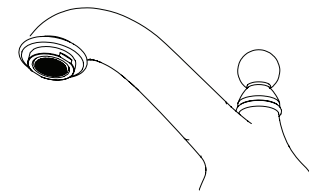
Always turn the water supply off before removing the existing faucet or disassembling a valve. Open both faucet handles to relieve water pressure and to ensure that the water has been successfully turned off.

CARE OF FAUCET:

The use of warm water and a soft cloth is all that is required to clean Rubinet products. The patina of our living finishes (Oil Rubbed Bronze & Tuscan Brass) will change as a result of normal use. Applying Mineral Oil on occasion will create a softer look, subtle color changes and character.

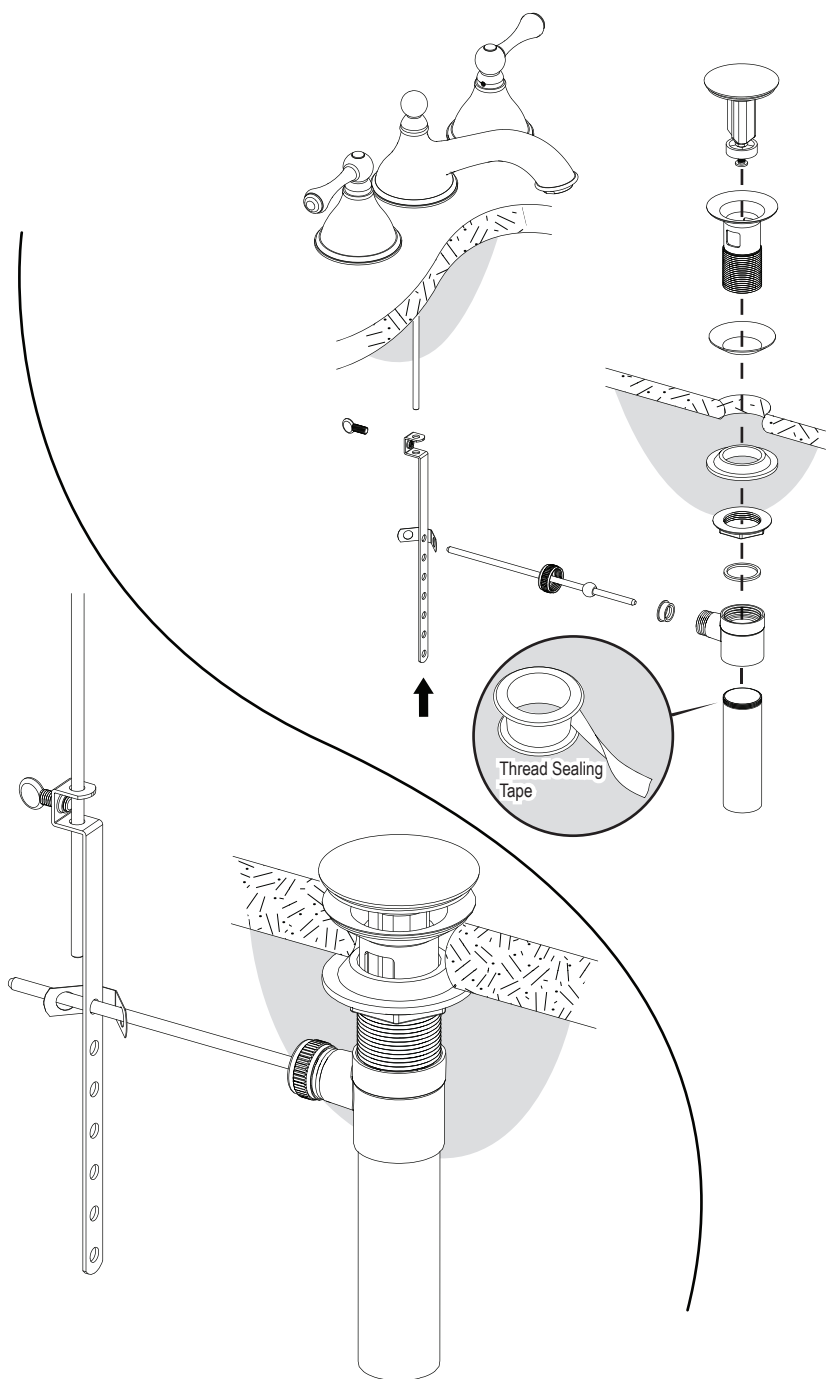


AERATOR REMOVAL

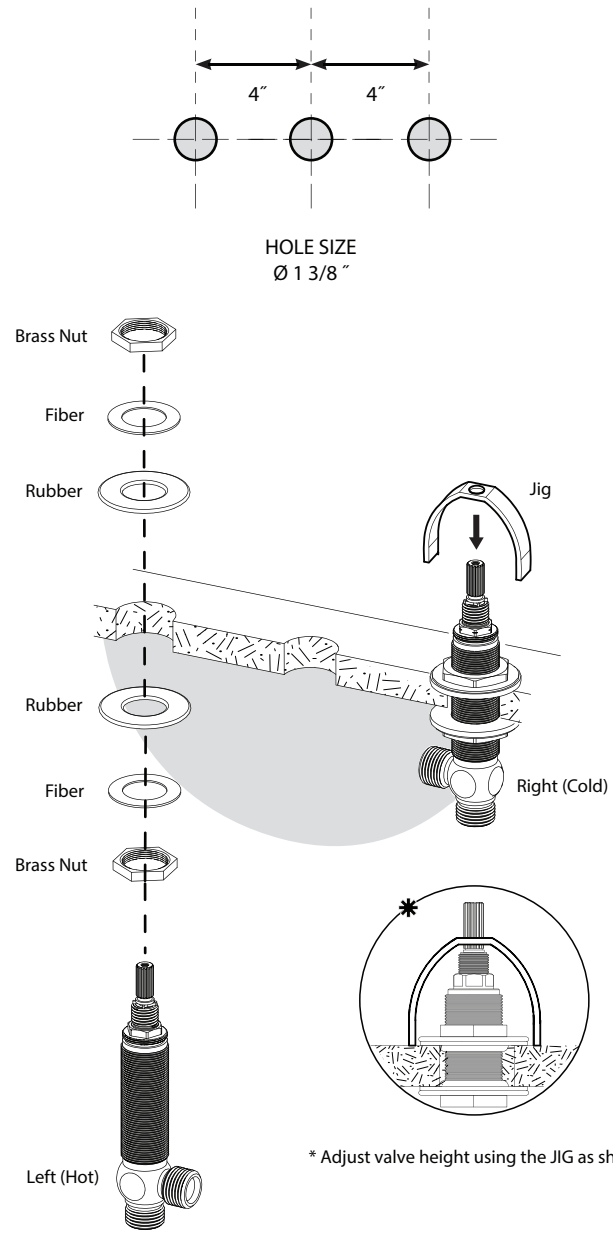


Turn counter-clock wise to unscrew.

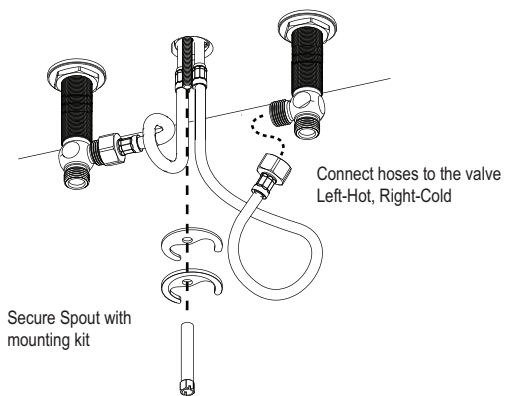
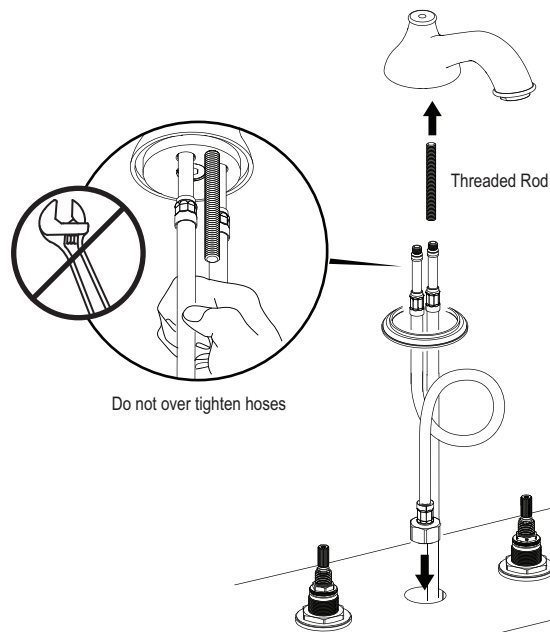
4



1



2



3

