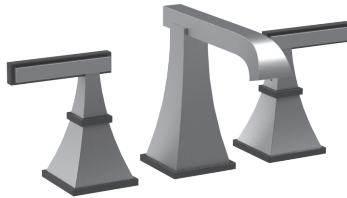


**ASSEMBLY INSTRUCTION****1AMQL or 1**

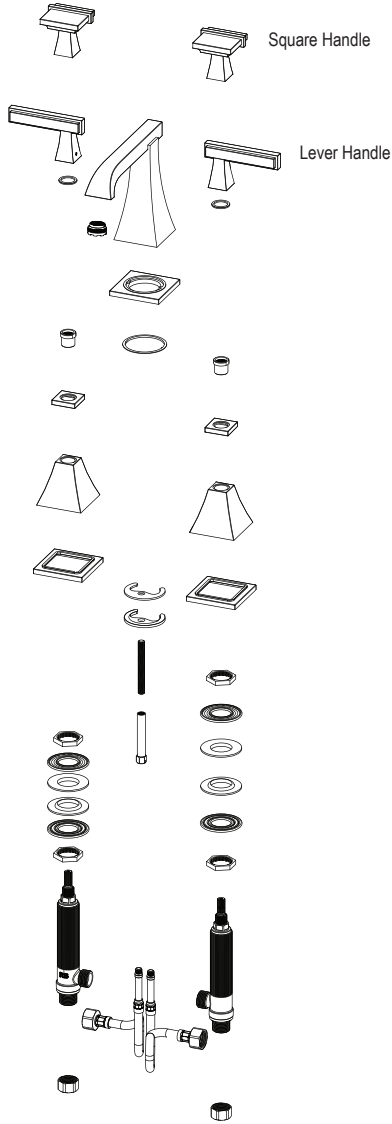
WIDESPREAD LAVATORY SET

**1AMQL****1AMQ1****REMOVAL OF FAUCET:**

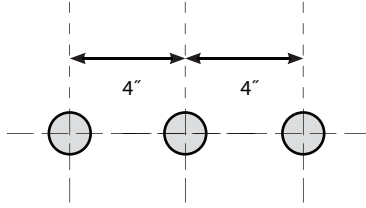
Always turn the water supply off before removing the existing faucet or disassembling a valve. Open both faucet handles to relieve water pressure and to ensure that the water has been successfully turned off.

**CARE OF FAUCET:**

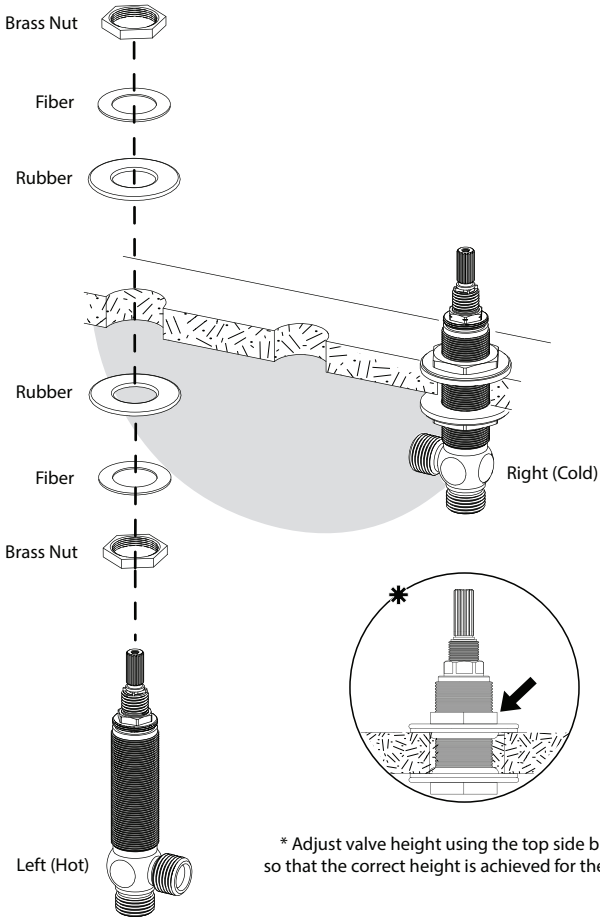
The use of warm water and a soft cloth is all that is required to clean Rubinet products. The patina of our living finishes (Oil Rubbed Bronze & Tuscan Brass) will change as a result of normal use. Applying Mineral Oil on occasion will create a softer look, subtle color changes and character.



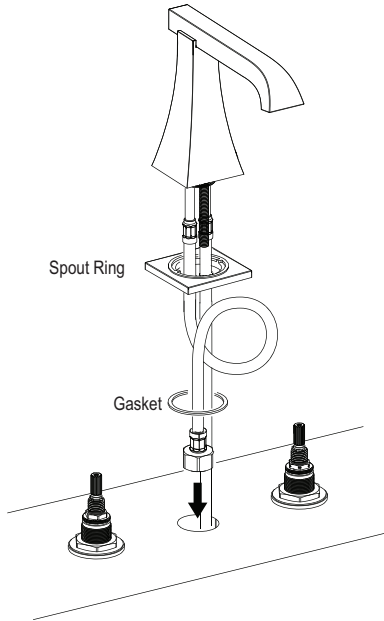
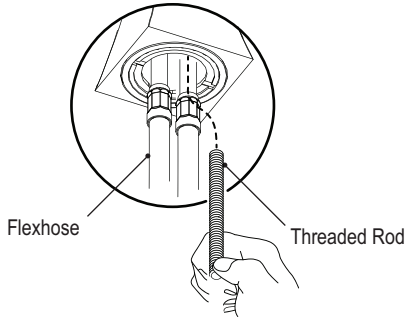
1



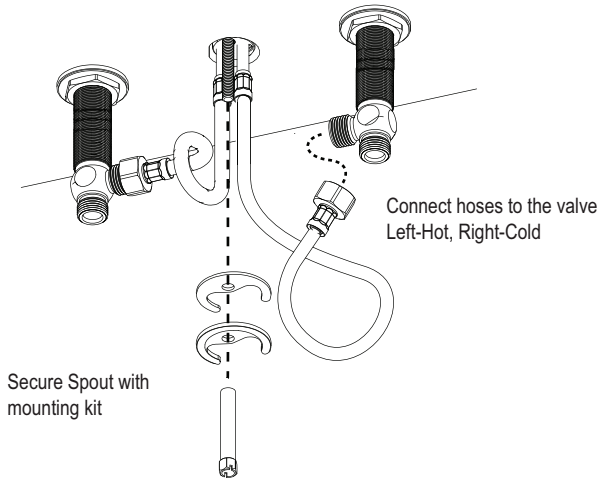
HOLE SIZE  
Ø 1 3/8 "

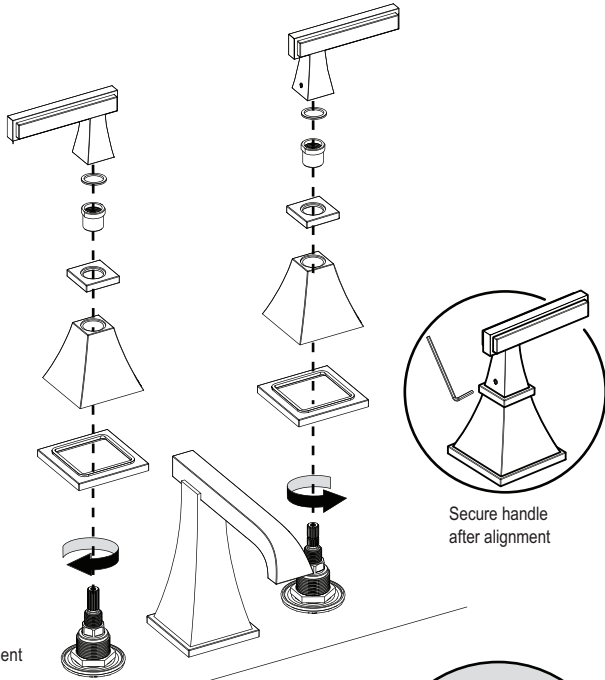


\* Adjust valve height using the top side brass nut so that the correct height is achieved for the handle

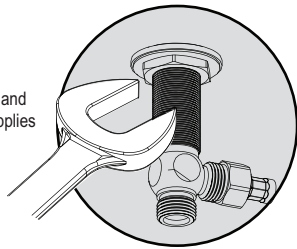


3

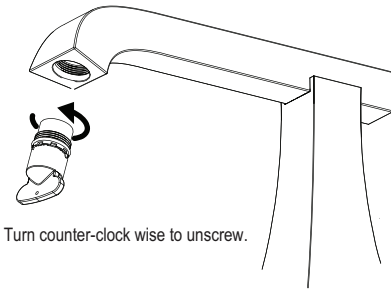
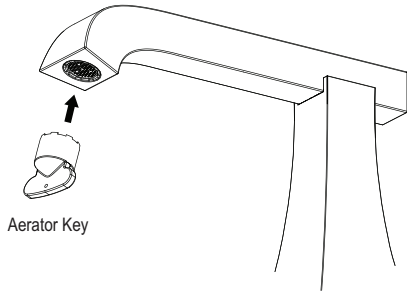




Tighten valve nut and connect water supplies



**AERATOR REMOVAL**

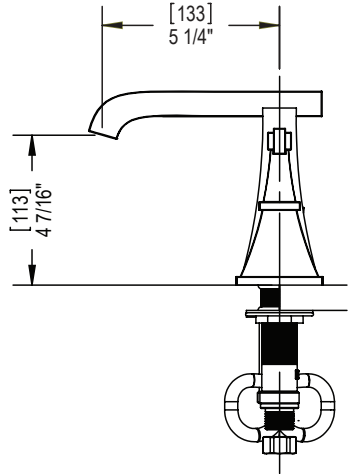
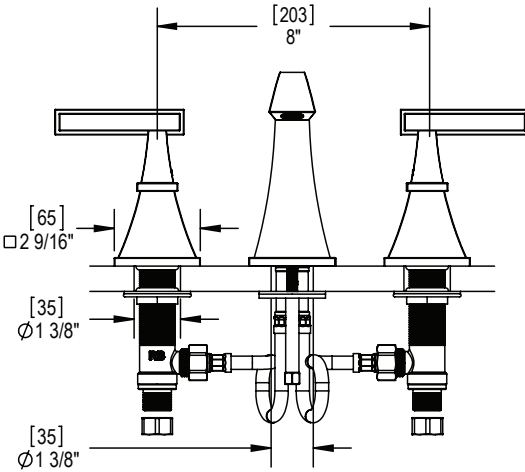
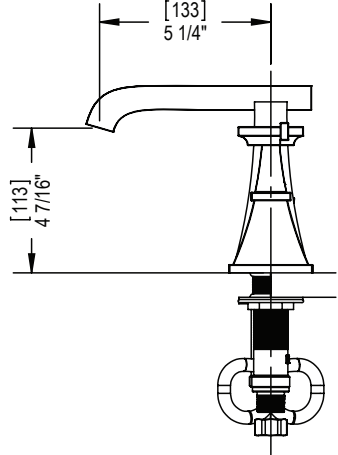
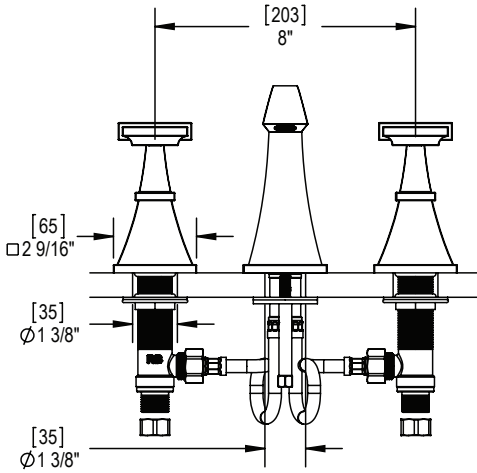


**FEATURES:**

- Brass construction with choice of 21 finishes
- Two lever or square handles
- Quarter turn Ceramic Disk cartridges
- 1.5 gpm @ 60 psi (Helps meet CalGreen regulation)

**APPROVAL:**

- AB1953 / NSF61
- ASME A 112.18.1
- CSA B125.1



**CONTACT US:**

If you need assistance with installation, replacement parts or have any questions regarding your Rubinet product, please call a Customer Service representative at: 905-851-6781 toll free 1-800-461-5901 or visit [www.rubinet.com](http://www.rubinet.com)