

CODE NUMBER

1001000

DESCRIPTION

Vitreous China Waterfree Urinal.

DETAILS

- Nominal Dimensions: 14 37/1000" × 19 5/8" × 26 3/4" (357 × 498 × 679mm)

FEATURES

- White Vitreous China
- Cartridge housing assembly
- 2" NPT outlet flange & Uni-coupler kit
- All mounting hardware included
- One (1) replaceable cartridge included†
- Touch-free, hygienic operation
- Up to 5x cleaner than flushing urinals

CARTRIDGE SPECIFICATIONS

- Enhanced patented design maximizes life, prevents sealant loss and virtually eliminates odor
- Biodegradable sealant liquid
- Vandal resistant locking design
- 20% less plastic than previous designs
- Average of 7,000 uses can save up to 40,000 gallons of water annually
- Replacement cartridges sold separately

DOWNLOADS

- [WES-1000 Installation Instructions](#)
- [WES-1000 \(French\) Installation Instructions](#)
- [WES-1000 \(Spanish\) Installation Instructions](#)
- [Cleaning and Cartridge Replacement Repair and Maintenance Guide](#)
- [Additional Downloads](#)



COMPLIANCES & CERTIFICATIONS



(ADA Compliant, cUPC Certified, CEC Compliant, CalGreen Compliant, Satisfies LEED Credits, Red List Free)

NOTES

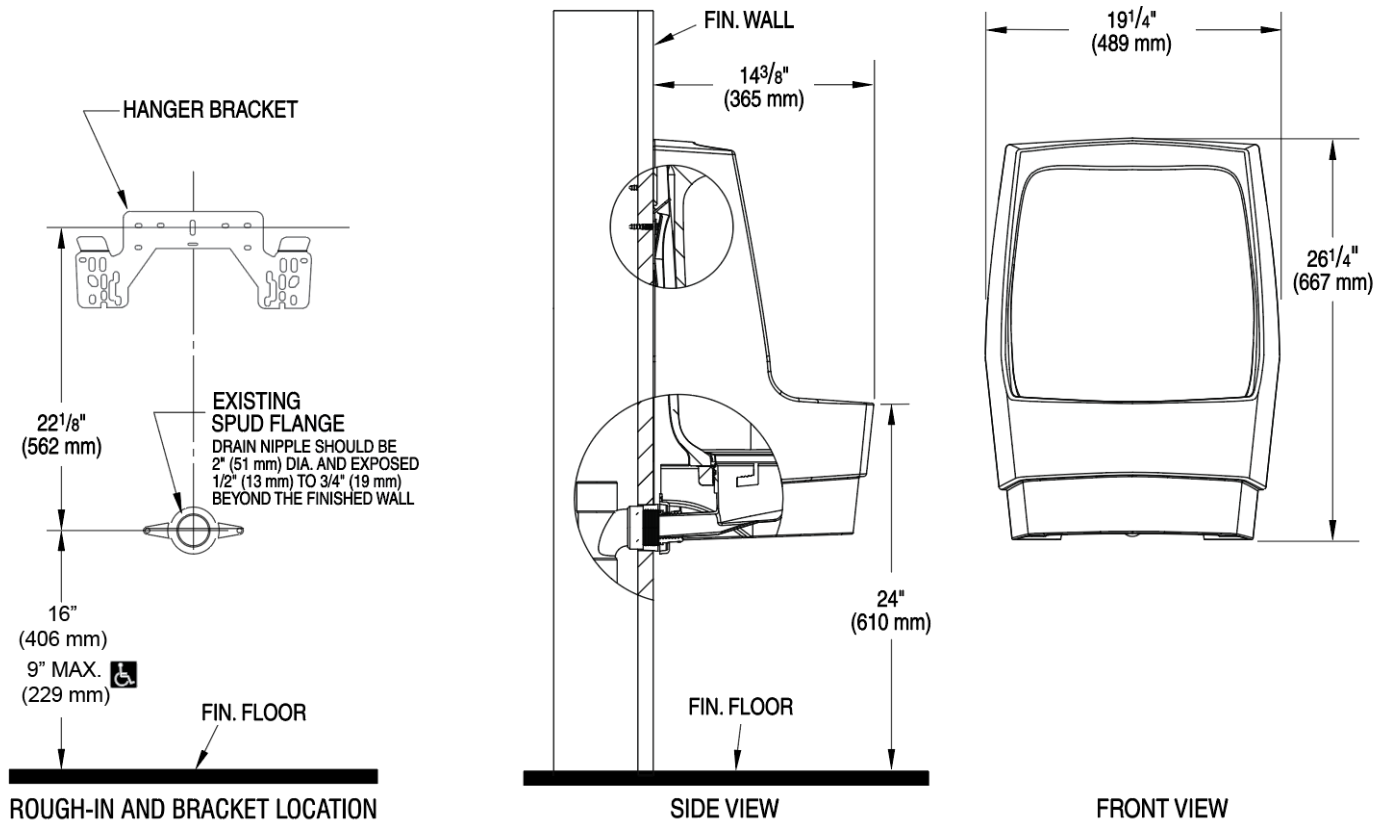
All information contained within this document subject to change without notice.

All vitreous china dimensions shown in these drawings are nominal and not to scale. Dimensions can vary within the tolerances established in the governing ASME A112.19.2/CSA B45.1 standard. It is important to consider this when planning rough-in and plumbing layouts.

DO NOT install on copper DWV due to copper's susceptibility to corrosion.

[Find a compatible flushometer](#) for this urinal.

ROUGH-IN



NOTE: ADA urinal rim height requirements allow all heights 17" and below. Sloan strongly recommends roughing in the drain to achieve a 16½" rim height or less to ensure compliance.