

CODE NUMBER

10101331

DESCRIPTION

SU-1019 Urinal and SLOAN 195 ESS Hardwired Flushometer.

COMPONENTS

- Flushometer: Code 3773206
- Urinal: Code 1101019

DETAILS

- Flush Volume: 0.125 gpf (0.5 Lpf)
- Nominal Dimensions: 14 ¼" x 17 ¼" x 25 ½" (362 x 438 x 648mm)

FLUSHOMETER FEATURES

Quiet, Concealed, Diaphragm Type, Rough Brass Urinal

- Vacuum Breaker with Flush Connection
- No External Volume Adjustment to Ensure Water Conservation
- OPTIMA® EL-1500 Self-Adaptive Infrared Sensor with Indicator Light
- Spud Coupling for ¾" Concealed Back Spud
- ¾" I.P.S. Wheel Handle Bak-Chek® Angle Stop
- Diaphragm, Stop Seat and Vacuum Breaker to be molded from PERMEX® rubber compound for Chloramine resistance

FIXTURE FEATURES

- White Vitreous China
- Washdown flushing action
- Integral flushing rim
- ¾" I.P.S. rear spud inlet
- 2" NPT outlet flange
- Vandal resistant strainer assembly included
- All mounting hardware included
- 100% factory flush tested



COMPLIANCES & CERTIFICATIONS



(ADA Compliant, cUPC Green Certified, UL Certified, WaterSense Listed, BAA Compliant, CEC Compliant, CalGreen Compliant, Satisfies LEED Credits)

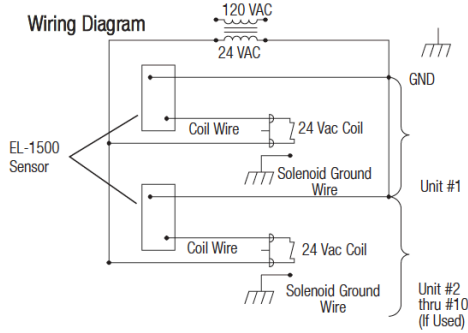
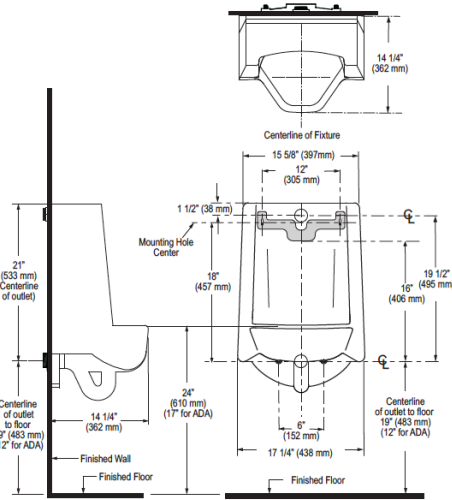
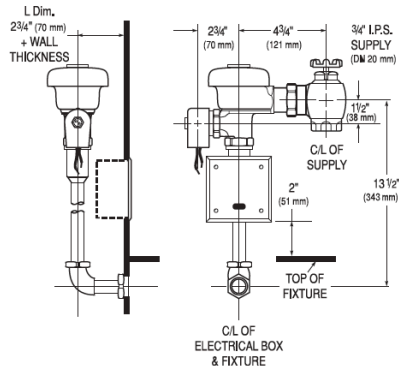
DOWNLOADS

- [Standard Spud Urinal Installation Instructions](#)
- [SS/ST/SU/WETS/WEUS Fixtures Repair and Maintenance Guide](#)
- [Additional Downloads](#)

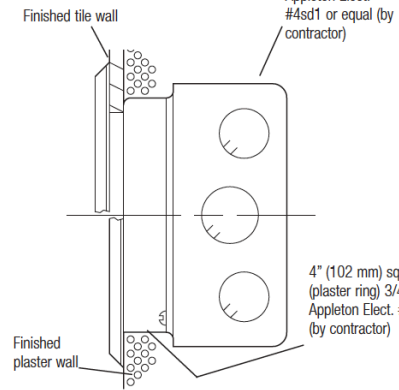
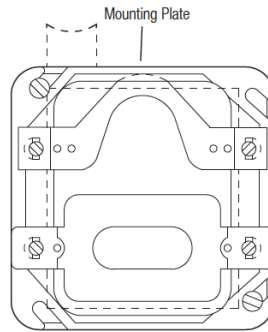
NOTES

All information contained within this document subject to change without notice.

ROUGH-IN



To ensure a perfect rough-in, Sloan recommends the use of the EL-518-A Flushometer electrical box positioning and support kit. Specify and order the EL-518-A kit separately. Consult factory for installation details.



Sloan 10500 Seymour Ave, Franklin Park, IL 60131

Phone: 800.982.5839 • Fax: 800.447.8329 • sloan.com