

CODE NUMBER

1071000

DESCRIPTION

Vitreous China Waterfree Urinal with SloanTec® Glaze.

DETAILS

- Nominal Dimensions: 14 37/1000" × 19 5/8" × 26 3/4" (357 × 498 × 679mm)

FEATURES

- Complete, vitreous china water free urinal.
- Permanent SloanTec™ hydrophobic antimicrobial glaze inhibits the growth and buildup of germs, bacteria, mold, mildew and mineral scale on the surfaces
- White Vitreous China
- Cartridge Housing
- One piece Wall bracket with Anchors Included
- Uni-coupler (for new and retrofit installations)
- Drain Line test cap
- † Cartridges sold separately
- Cartridge Kit - Engineered to last for at least 7000 uses
- Touch-free operation
- Uses no water
- Mechanical-free design
- Patented, sealing locking cartridge
- Smooth, non-porous surfaces
- Improved hygiene and safety
- Reduced water and sewer costs
- Water supply piping not required
- Odor-free
- Vandal Resistant
- Minimal care and easy cleaning

CARTRIDGE SPECIFICATIONS

- Enhanced patented design maximizes life, prevents sealant loss and virtually eliminates odor
- Biodegradable sealant liquid
- Vandal resistant locking design
- 20% less plastic than previous designs
- Average of 7,000 uses can save up to 40,000 gallons of water annually
- Replacement cartridges sold separately

DOWNLOADS

- [WES-1000 Installation Instructions](#)
- [WES-1000 \(French\) Installation Instructions](#)
- [WES-1000 \(Spanish\) Installation Instructions](#)
- [Cleaning and Cartridge Replacement Repair and Maintenance Guide](#)
- [Additional Downloads](#)

**COMPLIANCES & CERTIFICATIONS**

(ADA Compliant)

NOTES

All information contained within this document subject to change without notice.

All vitreous china dimensions shown in these drawings are nominal and not to scale. Dimensions can vary within the tolerances established in the governing ASME A112.19.2/CSA B45.1 standard. It is important to consider this when planning rough-in and plumbing layouts.

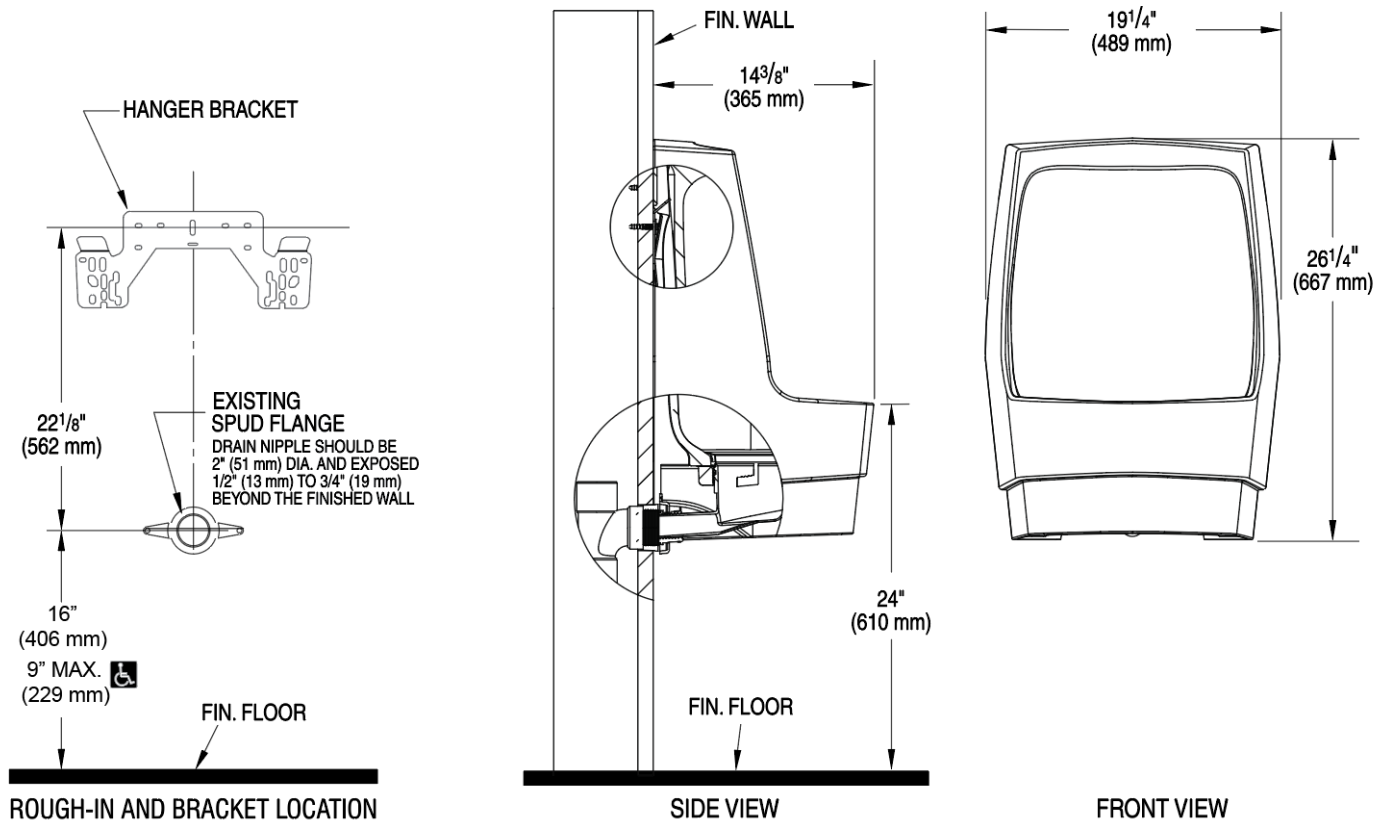
DO NOT install on copper DWV due to copper's susceptibility to corrosion.

[Find a compatible flushometer](#) for this urinal.

Sloan 10500 Seymour Ave, Franklin Park, IL 60131

Phone: 800.982.5839 • Fax: 800.447.8329 • sloan.com

ROUGH-IN



NOTE: ADA urinal rim height requirements allow all heights 17" and below. Sloan strongly recommends roughing in the drain to achieve a 16 1/2" rim height or less to ensure compliance.