

CODE NUMBER

20031401

DESCRIPTION

ST-2009 Water Closet and G2 8111 Flushometer.

COMPONENTS

- Flushometer: Code 3250400
- Water Closet: Code 2102009

DETAILS

- Flush Volume: 1.6 gpf (6.0 Lpf)
- Nominal Dimensions: 25 ¼" x 16 1/125" x 15" (641 x 407 x 381mm)

FLUSHOMETER FEATURES

- Sweat Solder Adapter with Cover Tube and Cast Set Screw Wall Flange
- Handle Packing, Main Seat, Stop Seat and Vacuum Breaker Molded from PERMEX® Rubber Compound for Chloramine resistance
- User friendly three (3) second Flush Delay
- "Low Battery" Flashing LED
- Fixed Metering Bypass and No External Volume Adjustment to Ensure Water Conservation
- Flex Tube Diaphragm designed for improved life and reduced maintenance
- Engineered Metal Cover with replaceable Lens Window
- Courtesy Flush® Override Button
- 1" I.P.S. Screwdriver Bak-Chek® Angle Stop with Vandal Resistant Stop Cap
- Infrared Sensor with Multiple-focused, Lobular Sensing Fields for high and low target detection
- Four (4) Size AA alkaline Batteries included

PERMEX® Synthetic Rubber Diaphragm with Dual Filtered Fixed Bypass

FIXTURE FEATURES

- White Vitreous China
- Elongated bowl
- Floor mounted, floor outlet
- Siphon jet flushing action achieves 1000g Map score when used with any Sloan flushometer
- Water spot area: 10⅞" x 9⅜" (26 cm x 24 cm)
- 1½" I.P.S. top spud inlet
- 2⅜" fully glazed trapway
- Closet bolts and caps included
- Toilet seat not included



COMPLIANCES & CERTIFICATIONS



(cUPC Certified, UL Certified, BAA Compliant)

DOWNLOADS

- [HET Wall Hung Installation Instructions](#)
- [SS/ST/SU/WETS/WEUS Fixtures Repair and Maintenance Guide](#)
- [Additional Downloads](#)

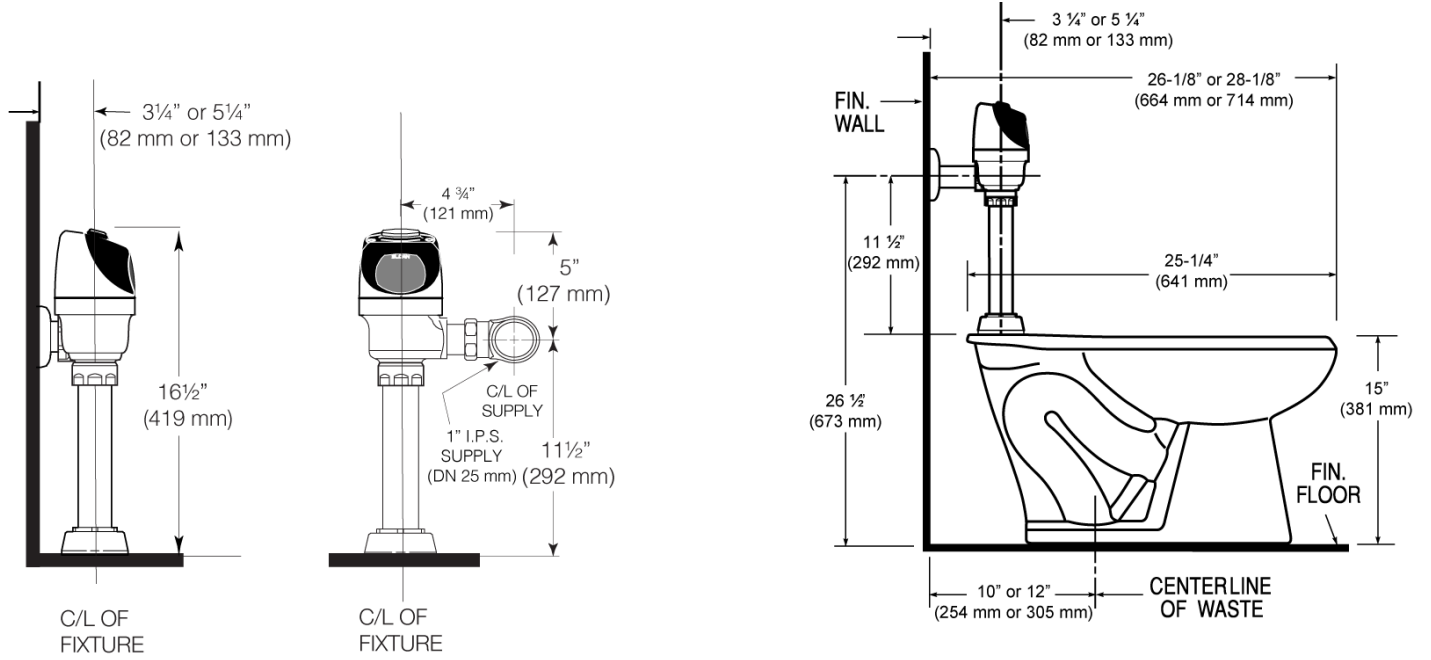
NOTES

All information contained within this document subject to change without notice.

Sloan 10500 Seymour Ave, Franklin Park, IL 60131

Phone: 800.982.5839 • Fax: 800.447.8329 • sloan.com

ROUGH-IN



Sloan 10500 Seymour Ave, Franklin Park, IL 60131

Phone: 800.982.5839 • Fax: 800.447.8329 • sloan.com