



HURON® BACK SPUD 1.6 gpf BOWL WITH EVERCLEAN®

VITREOUS CHINA

BARRIER FREE

HURON BACK SPUD 1.6 gpf BOWL WITH EVERCLEAN®

- Floor mount rear outlet elongated flushometer toilet with angle back and base and integral seat
- Vitreous china
- Space-saving 24-7/8" from wall to front of bowl
- 17-1/8" rim height for accessibility
- Low Consumption, operates at 1.6 gpf (6.0 Lpf)
- Permanent EverClean antimicrobial surface inhibits the growth of stain- and odor-causing bacteria, mold and mildew on the surface
- Siphon jet flush action
- Fully glazed 2" trapway
- 12" x 10" water surface area
- 1-1/2" inlet spud
- 4 bolt caps

- 3341.001** Elongated bowl only, back spud, wall outlet, with integral seat
- 3342.001** Elongated bowl only, back spud, wall outlet, with integral seat and seat holes

Nominal Dimensions:

632 x 349 x 435mm
(24-7/8" x 13-3/4" x 17-1/8")

Recommended working pressure – between 30 psi at valve when flushing and 80 psi static

Fixture only, less seat and flushometer valve

Compliance Certifications -

Meets or Exceeds the Following Specifications:

- ASME A112.19.2-2008 / CSA B45.1-08 for Vitreous China Fixtures



SEE REVERSE FOR ROUGHING-IN DIMENSIONS

To Be Specified:

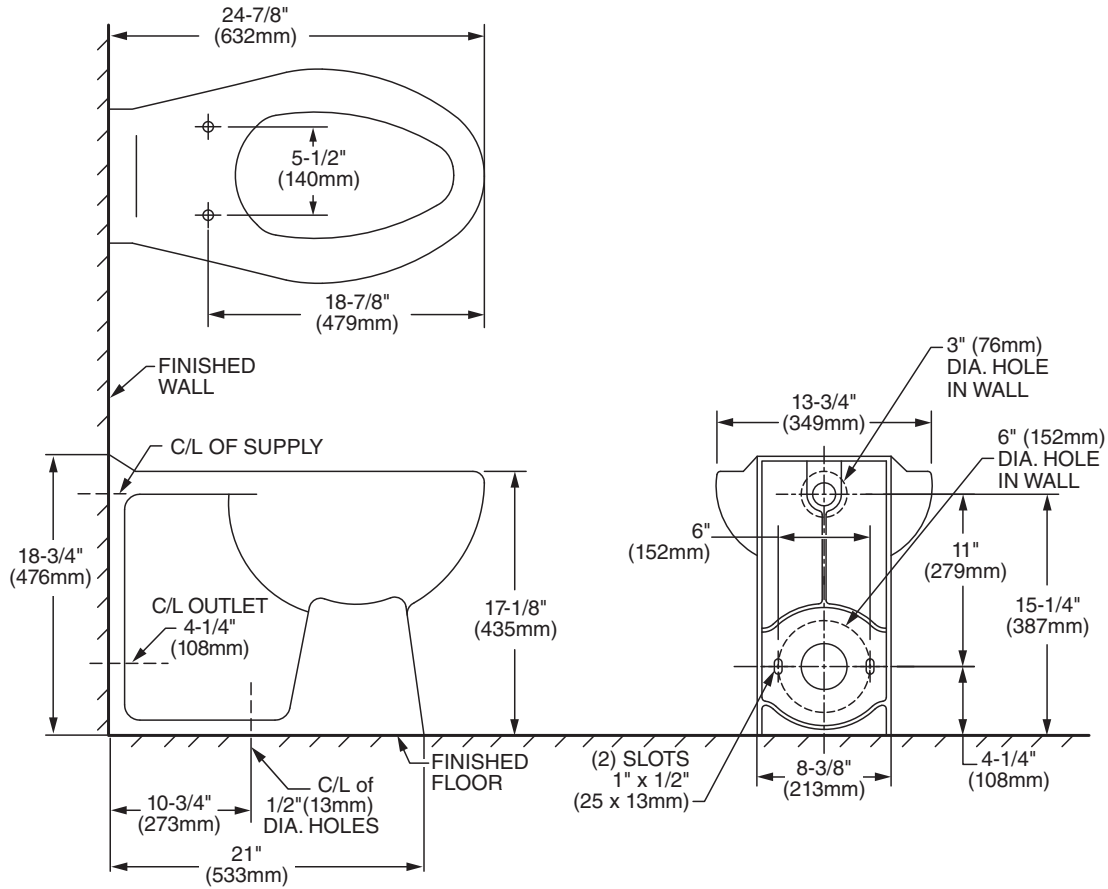
- Color: White
- Seat:
 - American Standard #5901.100 Heavy duty open front less cover
 - American Standard #5905.100 Extra heavy duty open front less cover
- Flushometer Valve:
 - 1.6 gpf:
 - American Standard Concealed Selectronic® Flushometer Plug-in AC #6067.262.002
 - American Standard Concealed Selectronic® Flushvalve with Wall Box Plug-in AC #6067.362.002



MEETS THE AMERICANS WITH DISABILITIES ACT GUIDELINES AND ANSI A117.1 REQUIREMENTS FOR ACCESSIBLE AND USABLE BUILDING FACILITIES - CHECK LOCAL CODES.

EVERCLEAN®
Surface





NOTES:

* VARIABLE — CHECK WITH MANUFACTURER OF FLUSHVALVE FOR PROPER ROUGH-IN DIMENSIONS.
WASTE OUTLET SEAL RING MUST BE NEOPRENE OR GRAPHITE-FELT (WAX RING NOT RECOMMENDED).
 TO COMPLY WITH AREA CODE GOVERNING THE HEIGHT OF VACUUM BREAKER ON FLUSH VALVE, THE
 PLUMBER MUST VERIFY DIMENSIONS SHOWN FOR SUPPLY ROUGHING.
 FLUSH VALVE NOT INCLUDED AND MUST BE ORDERED SEPARATELY.

IMPORTANT: Dimensions of fixtures are nominal and may vary within the range of tolerances established by ANSI Standard A112.19.2. These measurements are subject to change or cancellation. No responsibility is assumed for use of superseded or voided pages.