



Buy it for looks. Buy it for life.®

**DESCRIPTION**

- Chrome plated metal construction
- Inlet shanks will accept 3/8" ball nose connections

**OPERATION**

- Knob style handles

**CARTRIDGE**

- 1224 cartridge design
- Nonmetallic and stainless steel material

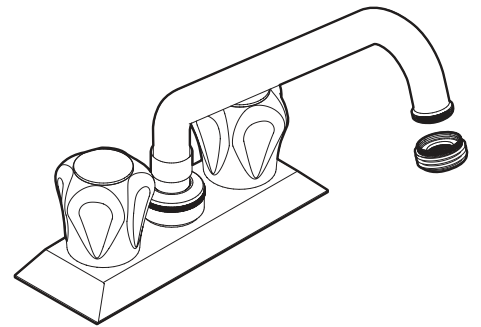
**STANDARDS**

- Third party certified to meet ASME A112.18.1/ CSA B-125.1, and all applicable requirements referenced therein

**WARRANTY**

- Limited lifetime warranty against leaks, drips, and finish defects to the original consumer purchaser
- 5 year warranty if used in commercial installations

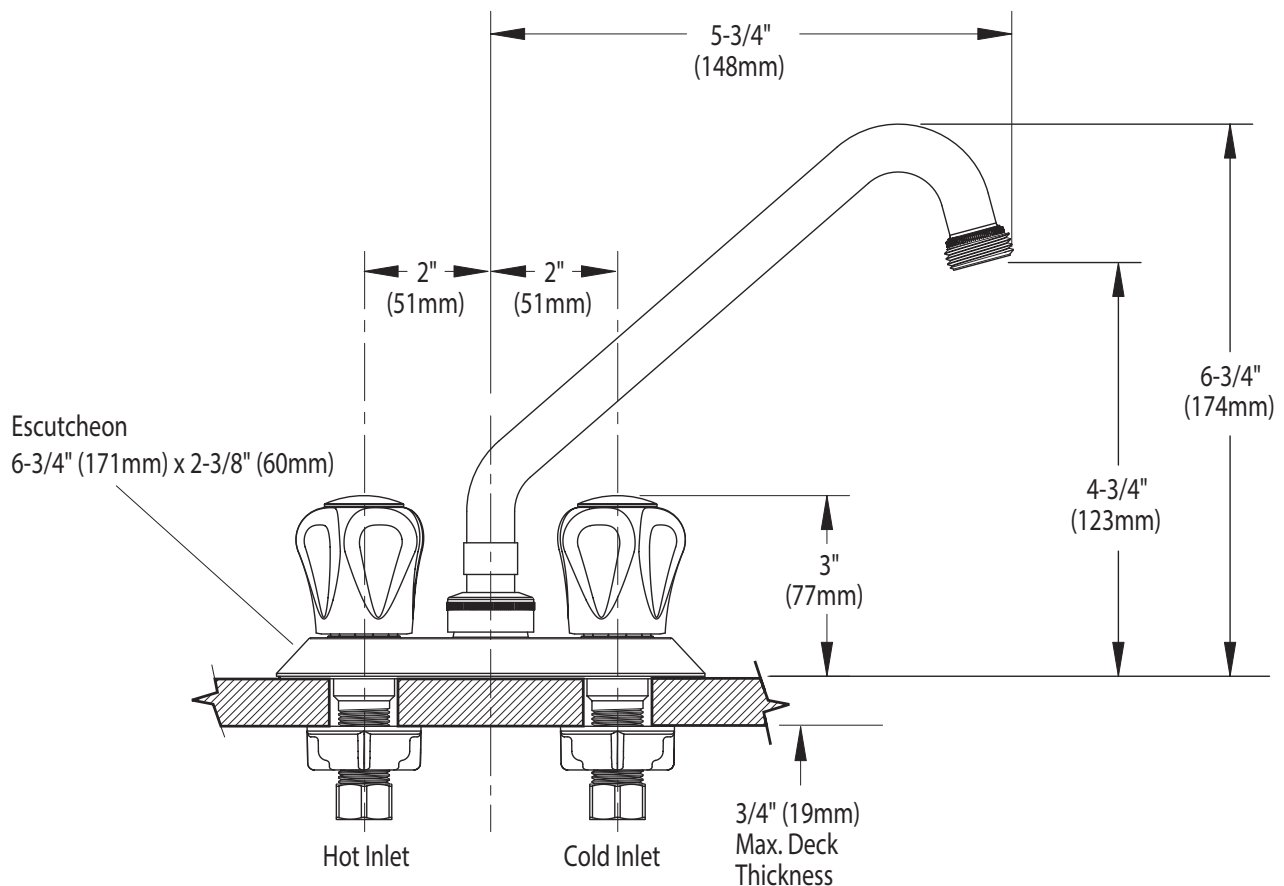
# Specifications



## Two Handle Laundry Faucet

**Model:** 4872 - Chrome Handle  
4873 - Acrylic Handle

**NOTE:** THIS FAUCET IS DESIGNED TO BE INSTALLED THRU 2 HOLES, 1" MIN. DIA.



Some local plumbing codes may require installation of a backflow preventor. Refer to your local authority to ensure proper installation of this product.

## CRITICAL DIMENSIONS

(DO NOT SCALE)