

**ASSEMBLY INSTRUCTION****1AHOL or R****WIDESPREAD LAVATORY SET****1AHOL****1AHOR****REMOVAL OF FAUCET:**

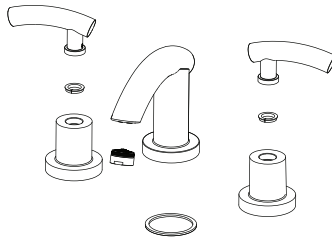
Always turn the water supply off before removing the existing faucet or disassembling a valve. Open both faucet handles to relieve water pressure and to ensure that the water has been successfully turned off.

**CARE OF FAUCET:**

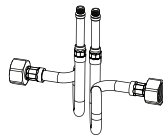
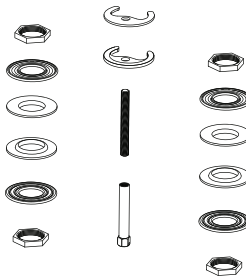
The use of warm water and a soft cloth is all that is required to clean Rubinet products. The patina of our living finishes (Oil Rubbed Bronze & Tuscan Brass) will change as a result of normal use. Applying Mineral Oil on occasion will create a softer look, subtle color changes and character.



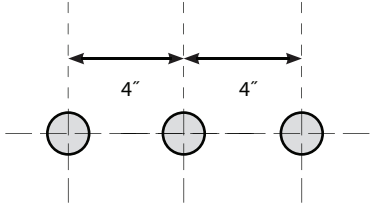
Round Handle



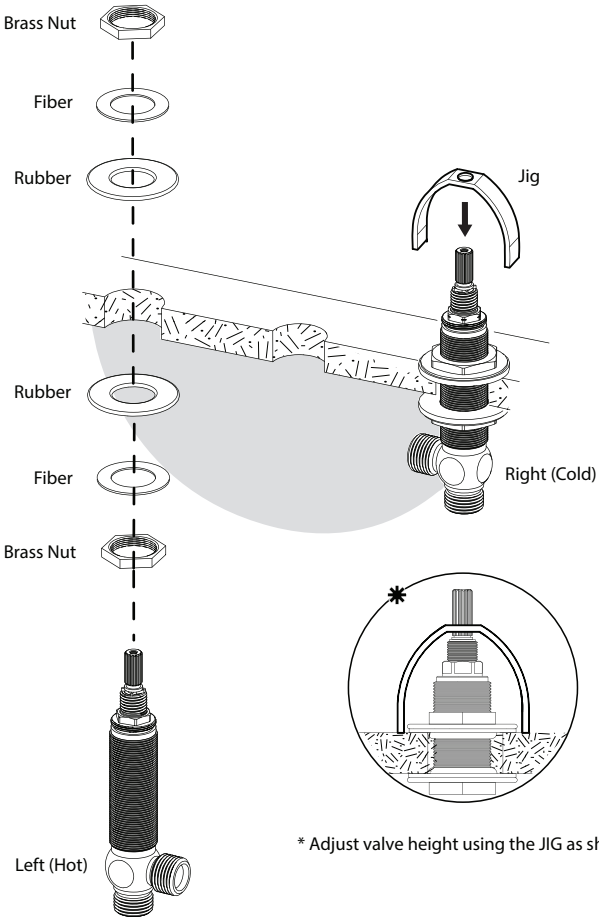
Lever Handle



1

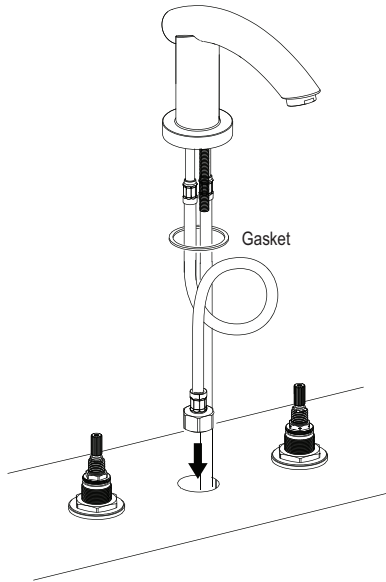
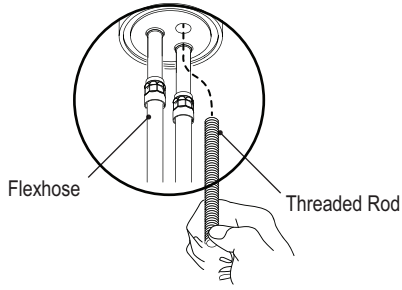


HOLE SIZE  
Ø 1 3/8 "

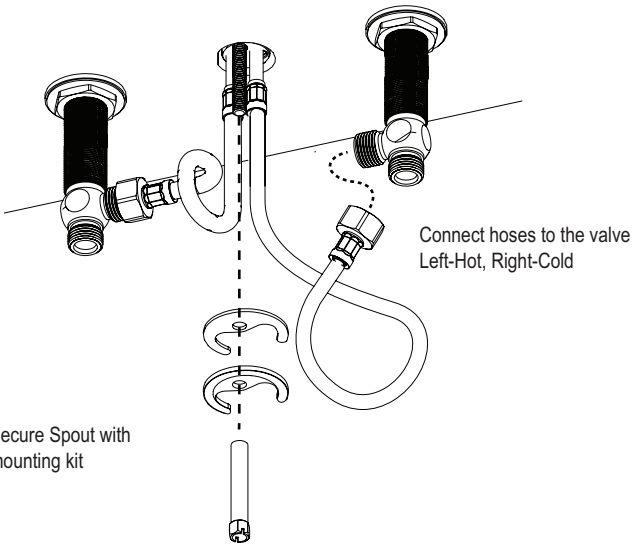


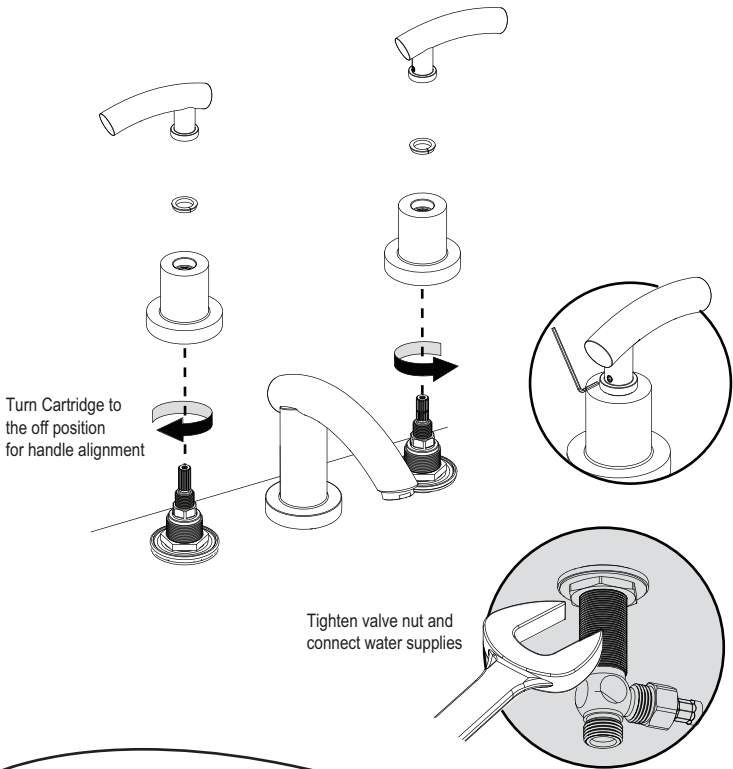
\* Adjust valve height using the JIG as shown

2

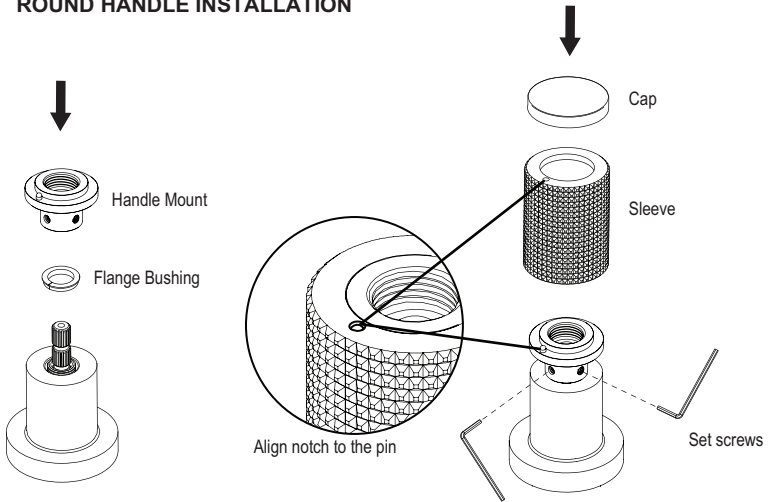


3

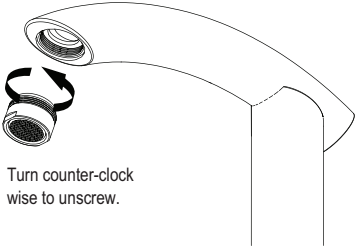
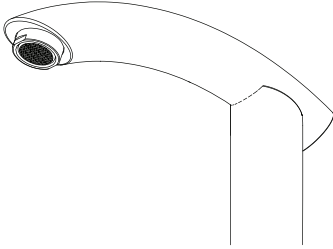




**ROUND HANDLE INSTALLATION**



**AERATOR REMOVAL**



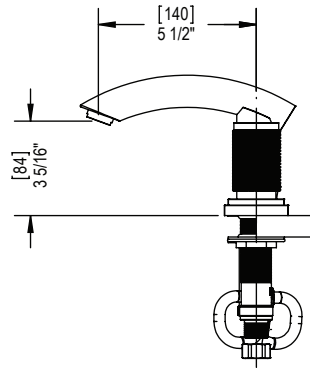
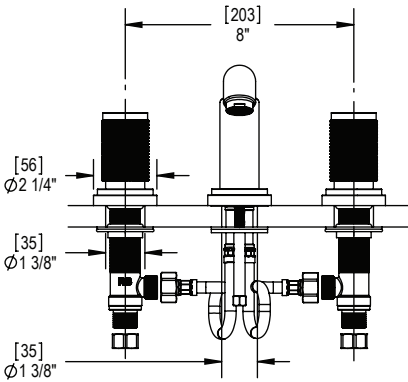
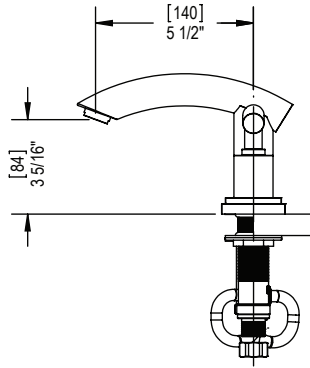
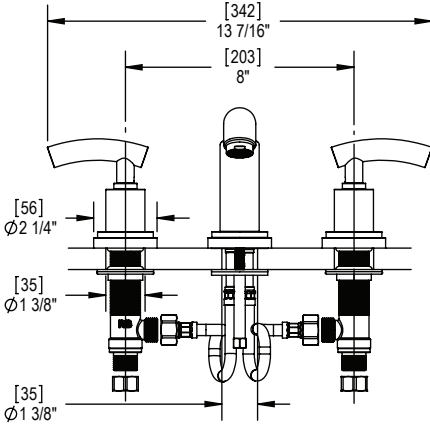
Turn counter-clock wise to unscrew.

**FEATURES:**

- Brass construction with choice of 21 finishes
- Two lever or round handles
- Quarter turn Ceramic Disk cartridges
- 1.5 gpm @ 60 psi (Helps meet CalGreen regulation)

**APPROVAL:**

- AB1953 / NSF61
- ASMEA 112.18.1
- CSA B125.1



**CONTACT US:**

If you need assistance with installation, replacement parts or have any questions regarding your Rubinet product, please call a Customer Service representative at: 905-851-6781 toll free 1-800-461-5901 or visit [www.rubinet.com](http://www.rubinet.com)